

# LMX-C602G-SFP-V2 Series

6-Port Industrial Compact Gigabit Light Layer 3 Managed Ethernet Switch, with 4\*10/100/1000Tx and 2\*100/1000 SFP Slots, Version 2 Hardware



## Features

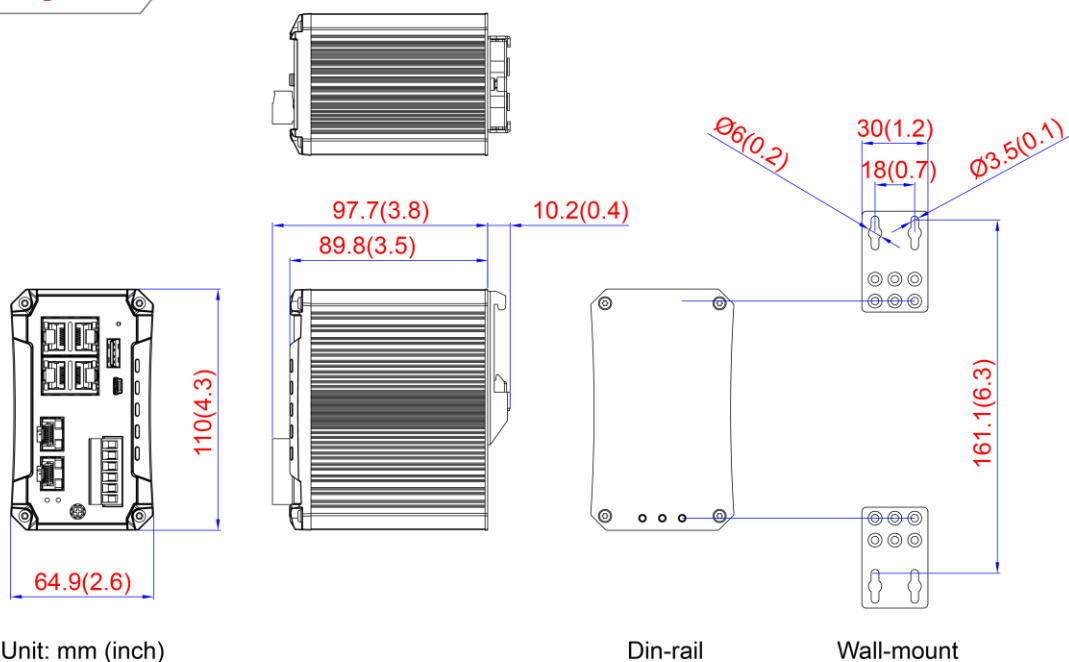
- ▶ Supports 4\*10/100/1000Tx and 2\*100/1000 SFP Slots
- ▶ Network Redundancy Support: RSTP/MSTP, and G.8032 ERPS (Recovery Time <50ms)
- ▶ Configuration: Web Console, Telnet, CLI Command
- ▶ Supports IGMP v1/v2/v3, up to 1024 Groups
- ▶ Supports QoS (IEEE802.1p) and CoS/ToS
- ▶ Supports IEEE802.1Q VLAN, SNMP v1/v2c/v3
- ▶ Power Input: 12~48VDC in 6-Pin Terminal Block
- ▶ Reverse Polarity Protection
- ▶ IP40 Protection
- ▶ Wall Mountable
- ▶ Operating Temperature Range
  - STD: -10°C to 65°C, EOT: -40°C to 75°C
- ▶ 5-Year Warranty

## INTRODUCTION

Antaira Technologies' LMX-C602G-SFP-V2 series is a 6-port industrial compact Gigabit managed Ethernet switch embedded with 4\*10/100/1000Tx Ethernet ports and 2\*100/1000Fx dual rate SFP slots for fiber connection. The LMX-C602G-SFP-V2 is a fully manageable light layer 3 Ethernet switch that is pre-loaded with a user-friendly web management console design. It supports the ring network redundancy function using the market's open standard ITU-T G.8032 Ethernet Ring Protection Switch (ERPS) protocol that has a <50ms network recovery time. The advanced network filtering and security functions, such as IGMP, VLAN, QoS, SNMP, RMON, Modbus TCP, and 802.1X/HTTPS/SSH/SSL increase determinism and improve network management for remote SCADA systems or control networks.

The LMX-C602G-SFP-V2 series is IP40 rated and DIN-rail mountable. There are also two wide operating temperature models for either a standard temperature range (STD: -10°C to 65°C) or an extended temperature range (EOT: -40°C to 75°C). It also provides high EFT and ESD protection for industrial networking applications, such as power/utility, water wastewater, oil/gas/mining, factory automation, security surveillance, ITS and any other outdoor or harsh environment. With a compact form and all connections facing the front of the Ethernet switch making it easy viewing of installations in a reserved space.

## DIMENSIONS



## SPECIFICATIONS

<b>Technology</b>	Port/MAC/Protocol/IP Subnet-based VLAN, VLAN trunking, GARP/GVRP, Loop Guard, Link Aggregation static/LACP, BPDU guard, Error disable recovery, IGMPv2 snooping, MLD snooping, IGMP filtering, IPMC throttling / filtering leave proxy, DHCP snooping, ARP, MEP, G.8032 v1/v2
<b>L2 Switching</b>	
<b>L3 Switching</b>	DHCP option82, static routes 802.1p Queueing, Input priority mapping, Storm control for Unicast/Multicast/Broadcast,
<b>QoS</b>	Port/Queue/ACL policer, Port egress shaper, Queue egress shaper, DiffServ (DSCP), Tag remarking, Scheduler mode
<b>Power Saving</b>	ActiPHY, PerfectReach, IEEE 802.3az EEE power management
<b>Network Redundancy</b>	STP/RSTP/MSTP, port trunk with LACP, ERPS v1/v2 (<50ms)
<b>Configuration System / Diagnostics</b>	Http, Https, Telnet, SSH, CLI, TFTP, SNMP v3 Dual Image Protection, PING, PING6
<b>Switch Properties</b>	
<b>Switch Architecture</b>	Back-Plane (Switching Fabric): 12Gbps IPv4/IPv6, SNMP v1/v2c/v3, LLDP, LLDP-MED, HTTP, HTTPS, SSHv2 telnet, DHCP client, DHCPv6 client, DHCP server, Port Mirror, DNS client/proxy, IP based Access Filter, ICMPv6, syslog, Time Zone / Daylight Saving, NTP client, RMON, sFlow, Loop detection, Console Port, Power Lost Warning, Relay Trigger
<b>Protocols</b>	
<b>Priority Queues</b>	8
<b>Processing Type</b>	Store and Forward
<b>Flow Control</b>	IEEE 802.3x flow control, back pressure flow control
<b>Transfer Rate</b>	14,880pps for Ethernet Port 148,800pps for Fast Ethernet Port 1,488,000pps for Gigabit Ethernet Port
<b>Memory Buffer</b>	4Mbits
<b>Jumbo Frame</b>	9.6Kbytes
<b>MAC Table Size</b>	8K
<b>VLAN Group</b>	4095
<b>IGMP Group</b>	1024
<b>Port Interface</b>	
<b>Ethernet Port</b>	4*10/100/1000Base-TX Auto negotiation speed, Full/Half duplex mode, and auto MDI/MDI-X connection
<b>SFP Port</b>	2*100/1000 SFP Slots
<b>RS232 Serial Console</b>	1*Mini USB type B connector
<b>LED Indicators</b>	System: Power 1, Power 2, Master, Ring, and Status Ethernet Ports: Speed/Link/Active SFP Port: Link/Active

<b>Protection</b>	10Base-T: 2-pair UTP/STP Cat. 3, 4, 5 cable EIA/TIA-568 100-ohm (100m)
<b>Network Cable</b>	100Base-TX: 2-pair UTP/STP Cat. 5 cable EIA/TIA-568 100-ohm (100m) 1000Base-TX: 4-pair UTP/STP Cat.5/5E cable; EIA/TIA-568 100-ohm (100m)
<b>Mechanical Characteristics</b>	
<b>Housing</b>	Metal, IP40 protection
<b>Dimensions</b>	64.9 x 110 x 89.8 mm (W x H x D)
<b>Weight</b>	Unit: 1.94 lbs Shipping: 2.55 lbs
<b>Mounting</b>	Wall mounting
<b>Power Requirement</b>	
<b>Input Voltage</b>	12~48VDC Redundant Input
<b>Power Connection</b>	1 removable 6-contact terminal block
<b>Relay Contact</b>	24VDC, 1A resistive
<b>Overload Current Protection</b>	Present
<b>Reverse Polarity Protection</b>	Present
<b>System Power Consumption</b>	10.8W
<b>Environmental Limits</b>	
<b>Operating Temperature</b>	STD: -10°C to 65°C EOT: -40°C to 75°C
<b>Storage Temperature</b>	-40°C to 85°C
<b>Ambient Relative Humidity</b>	5% to 95%, (non-condensing)
<b>Regulatory Approvals</b>	
<b>EMI</b>	FCC Part 15 Subpart B Class A, CE EN55032/EN61000-6-4 Class A
<b>EMS</b>	CE EN55035/EN61000-6-2, IEC61000-4-2,3,4,5,6,8
<b>Free Fall</b>	IEC60068-2-32
<b>Shock</b>	IEC60068-2-27
<b>Vibration</b>	IEC60068-2-6
<b>Green</b>	RoHS Compliant
<b>Certifications</b>	FCC, CE, UL 61010-1, UL 61010-2-201
<b>Warranty</b>	5 Years

## ORDERING INFO

<b>LMX-C602G-SFP-V2</b>	6-Port Industrial Compact Gigabit Light Layer 3 Managed Ethernet Switch, with 4*10/100/1000Tx and 2*100/1000 SFP Slots
<b>LMX-C602G-SFP-T-V2</b>	6-Port Industrial Compact Gigabit Light Layer 3 Managed Ethernet Switch, with 4*10/100/1000Tx and 2*100/1000 SFP Slots; EOT: -40°C to 75°C