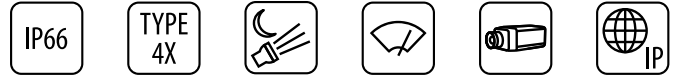


# ULISSE RADICAL

TOP PERFORMANCE LONG RANGE HD PTZ CAMERA



## DESCRIPTION

ULISSE RADICAL is the first PTZ Full HD Videotec network system ready for use that integrates exceptional lens and pre-configured camera combinations, Full HD 1080p, 60fps and CMOS 1/2.8" sensors, for night and day broadcast quality video in extensive outdoor areas.

To meet more specific video surveillance needs, the PTZ unit is equipped with a 33x lens with advanced autofocus which allows and automatically maintains focus on a subject that is very far away with clear details.

ULISSE RADICAL is certified ONVIF Profile S and is compatible with most VMS on the market.

The Videotec's PTZ ASSISTANT plug-in software supports any VMS with the control of all special functions such as wiper, washer pump, IR and Auto Focus.

Powerful motors guarantee exceptionally smooth tracking, even at a minimum speed of 0.02°/sec.

The performance remains optimal in complete darkness thanks to powerful LED illuminators that can reach distances of over 300m (985ft) with two UPTIRN illuminators (10°, 850nm).

ULISSE RADICAL with 33x zoom features a Thermal Compensation System and a Visible Cut Filter.

Due to its characteristics of accuracy, reliability and robustness, this PTZ camera is the ideal solution for the visual control of large outdoor areas, such as: border patrol, harbour surveillance, long distance perimeter surveillance, traffic and highway control, military installations.

## MAIN FEATURES

PTZ unit with factory-assembled and pre-configured camera and 500mm lens  
Minimum Illumination, Colour (ICR-OFF):

- 0.041 lx 1/25s F3.0, 50 IRE

Minimum Illumination, B/W (ICR-ON):

- 0.005 lx 1/25s F3.0, 50 IRE

IR corrected lens

Advanced Autofocus system

Thermal Compensation System and Visible Cut Filter

Pre-wired camera and lens through snap-on connector for easy installation and maintenance

Total control of the auxiliary functions through the Videotec PTZ ASSISTANT

Horizontal continuous rotation

Optical sensors for absolute positioning feedback

Position accuracy: 0.02°

Up to 250 Presets

Integrated wiper

Power supply: 230Vac, 24Vac or 120Vac

Options:

- Prearrangement for mounting of two UPTIRN LED illuminators

## TECHNICAL DATA

### GENERAL

Top mount (OTT)  
Transmission through toothed belt  
Slip-ring  
Electronic limit switches  
Zero backlash  
Optical sensors for absolute positioning feedback  
Integrated wiper  
Pre-installed camera and lens

### MECHANICAL

Constructed from aluminium and tecnopolymer  
Epoxy polyester powder painting, RAL9002 colour  
Horizontal rotation: 360°, continuous rotation  
Zoom 33x:

- Vertical rotation: from -20° up to +45°
- Horizontal speed (variable): from 0.02°/s up to 20°/s
- Tilt speed (variable): from 0.02°/s up to 20°/s

Accuracy of preset positions: 0.02°  
Cable glands: 3xM16  
Unit weight: 30kg (66lb)

### ELECTRICAL

Supply voltage/Current consumption:

- 230Vac, 0.4A, 50/60Hz
- 120Vac, 0.8A, 50/60Hz
- 24Vac, 4A (8A with LED illuminators), 50/60Hz

Power consumption (illuminators off):

- 24W, P&T static (stand-by), heating switched off
- 100W, P&T in motion, heating switched on

Power consumption (illuminators on):

- 150W, P&T in motion, heating switched on, illuminators to minimum power
- 190W, P&T in motion, heating switched on, illuminators to maximum power

4 self-powered alarm inputs  
2 dry contacts: 30Vdc max or 30Vac, @ 1A

### NETWORK

Connector: RJ45, 10BASE-T/100BASE-T  
Protocol: ONVIF, Profile S (TCP/IPv4, UDP/IPv4, HTTP, NTP, DHCP, WS-DISCOVERY, QoS, RTSP, RTCP, RTP)

### VIDEO

Compression: H.264/AVC, JPEG  
Multiple video stream capability: up to 3 independent streams and up to 20 simultaneous clients  
Resolution: 1920x1080, 1280x720, 1024x576, 720x576, 720x480, 704x576, 640x480, 640x360, 352x288, 320x184  
Range of Bitrate setting: 64 kbps to 32 Mbps  
Selectable frame rate from 1 to 60 images per second (fps)

### CAMERAS

Day/Night Full HD, 60fps, sensor CMOS 1/2.8"  
Effective Pixels: 2 Megapixel  
Minimum Illumination, colour (ICR-OFF):

- 0.041 lx 1/25s F3.0, 50 IRE

Minimum Illumination, B/W (ICR-ON):

- 0.005 lx 1/25s F3.0, 50 IRE

Zoom 33x:

- Horizontal Viewing Angle: from 20.51° (wide end) up to 0.65° (tele end)
- Vertical Viewing Angle: from 11.58° (wide end) up to 0.36° (tele end)

S/N Ratio: over 55 dB  
HDR mode: 110 dB WDR (Measured according to IEC 62676 Part 5)  
Adjustable picture settings: Contrast, saturation, Brightness  
White balance: from 2500K up to 10000K, 4 automatic modes (base, standard, sodium lamp, dominant colour), Manual mode and Hold mode  
ALC level: Adjustable  
Saturation: Adjustable from peak to average  
Shutter: Automatic Electronic Shutter (AES, Automatic Electronic Shutter); Fixed shutter (from 1/25 [30] up to 1/15000)selectable; Default shutter  
Day/Night: Auto (adjustable switch points), colour, monochrome  
Sharpness: Sharpness enhancement level selectable  
Backlight compensation: On/Off/Intelligent Auto Exposure (IAE)  
Contrast optimisation: On/Off  
Disturbance reduction: Intelligent Dynamic Noise Reduction with separate temporal and spacial adjustments  
Intelligent Defog

## LENSES

Zoom 33x, 15.2-500mm (0.6-19.7in), F3.0 (Thermal compensation system and Visible Cut Filter)

## ENVIRONMENT

For indoors and outdoors installation

Operating temperature

- Continuous working: from -40°C (-40°F) up to +60°C (140°F)
- Non continuous working (absolute maximum temperature for short periods): +65°C (149°F)
- Cold start (33x lenses): -30°C (-22°F)

Surge immunity: up to 2kV line to line, up to 4kV line to earth (Class 4)

Relative humidity: from 10% up to 95% (no condensation)

## CERTIFICATIONS

Electrical safety (CE): EN60950-1, IEC60950-1, EN62368-1, IEC62368-1

Electromagnetic compatibility (CE): EN50130-4, EN61000-6-4, EN55022 (Class A), FCC Part 15 (Class A)

Outdoor installation (CE): EN60950-22, IEC60950-22

Photobiological safety (CE): EN62471 (LED illuminators)

IP protection degree: EN60529, IP66

Salty fog resistance: EN50130-5, EN60068-2-52

EAC certification

NDAA-compliant

## ACCESSORIES

UPTIRN108A00	LED illuminator for ULISSE, 10°, 850nm, 24Vac - 12/24Vdc
UPTIRN308A00	LED illuminator for ULISSE, 30°, 850nm, 24Vac - 12/24Vdc
UPTIRN608A00	LED illuminator for ULISSE, 60°, 850nm, 24Vac - 12/24Vdc
UPTIRN109A00	LED illuminator for ULISSE, 10°, 940nm, 24Vac - 12/24Vdc
UPTIRN309A00	LED illuminator for ULISSE, 30°, 940nm, 24Vac - 12/24Vdc
UPTIRN10WA00	LED illuminator for ULISSE, 10°, white light, 24Vac - 12/24Vdc
UPTIRN30WA00	LED illuminator for ULISSE, 30°, white light, 24Vac - 12/24Vdc
UPTIRN60WA00	LED illuminator for ULISSE, 60°, white light, 24Vac - 12/24Vdc

UPTIRPS230N	External power supply for ULISSE series, IN 230Vac, in weatherproof box
UPTIRPS100N	External power supply for ULISSE series, IN 100Vac, in weatherproof box
UPTIRPS120UL	External power supply for ULISSE series, IN 120Vac, in weatherproof box
UPTJBUL	Junction weatherproof box for cables connexion (according UL norm)
WASPTOV5L5M00	Water tank 5l (1.3gal), pump with delivery up to 5m (16ft), IN 230Vac-24Vac-120Vac
WASPTOV23L5M00	Water tank 23l (6gal), pump with delivery up to 5m (16ft), IN 230Vac-24Vac-120Vac
WASPTOV23L11M00	Water tank 23l (6gal), pump with delivery up to 11m (36ft) with water floating, IN 230Vac-24Vac-120Vac
WASPT1V23L30M00	Water tank 23l (6gal), pump with delivery up to 30m (98ft) with water floating, IN 230Vac
WASPT3V23L30M00	Water tank 23l (6gal), pump with delivery up to 30m (98ft) with water floating, IN 120Vac
WASNX1V10L20M00	Tank 10l (2.6gal) with integrated manual pump, controlled by solenoid valve, IN 230Vac, delivery head up to 30m (98ft), with 20m (66ft) antistatic water delivery pipe
WASNX2V10L20M00	Tank 10l (2.6gal) with integrated manual pump, controlled by solenoid valve, IN 24Vac, delivery head up to 30m (98ft), with 20m (66ft) antistatic water delivery pipe
WASNX3V10L20M00	Tank 10l (2.6gal) with integrated manual pump, controlled by solenoid valve, IN 120Vac, delivery head up to 30m (98ft), with 20m (66ft) antistatic water delivery pipe

## BRACKETS AND ADAPTORS

UPTWBA	Wall bracket with internal cable channel
UPTWBTAB	Parapet bracket with internal cable channel
WCWGC	Corner mount adaptor
PTCC1	Pole mount adaptor

## PACKAGE

Model Number	Weight	Dimensions (WxHxL)	Master carton
UPK1PEWAN00B	38kg (84lb)	76x41x67cm (30x16x26.4in)	-

AVAILABLE MODELS							
Model Number	230vac	24Vac	120Vac	Camera Full HD 60fps Sensor CMOS 1/2.8"	33x lens (Thermal Compensation and Visible Cut Filter)	Wiper	Prearranged for the mounting of illuminators (not included):
UPK1PEWAN00B	√	–	–	√	√	√	–
UPK2PEWAN00B	–	√	–	√	√	√	–
UPK3PEWAN00B	–	–	√	√	√	√	–
UPK2PEJAN00B	–	√	–	√	√	√	√

ULISSE RADICAL - CONFIGURATION OPTIONS								
	Voltage	Camera	Lenses	Options		Video Output		
<b>UPK</b>	<b>1</b> 230Vac	<b>P</b> Full HD 60fps Sensor CMOS 1/2.8"	<b>E</b> Zoom 33x with Thermal Compensation and Visible Cut Filter	<b>W</b> With wiper and counterweights	<b>A</b>	<b>N</b> ONVIF protocol, Profile S	<b>00B</b>	
	<b>2</b> 24Vac			<b>J</b> With wiper, counterweights and prearranged for UPTIRN (only 24Vac, illuminators not included)				
	<b>3</b> 120Vac							

Not all combinations are possible.

#### ULISSE RADICAL 33x



0.5m / 1.640 ft

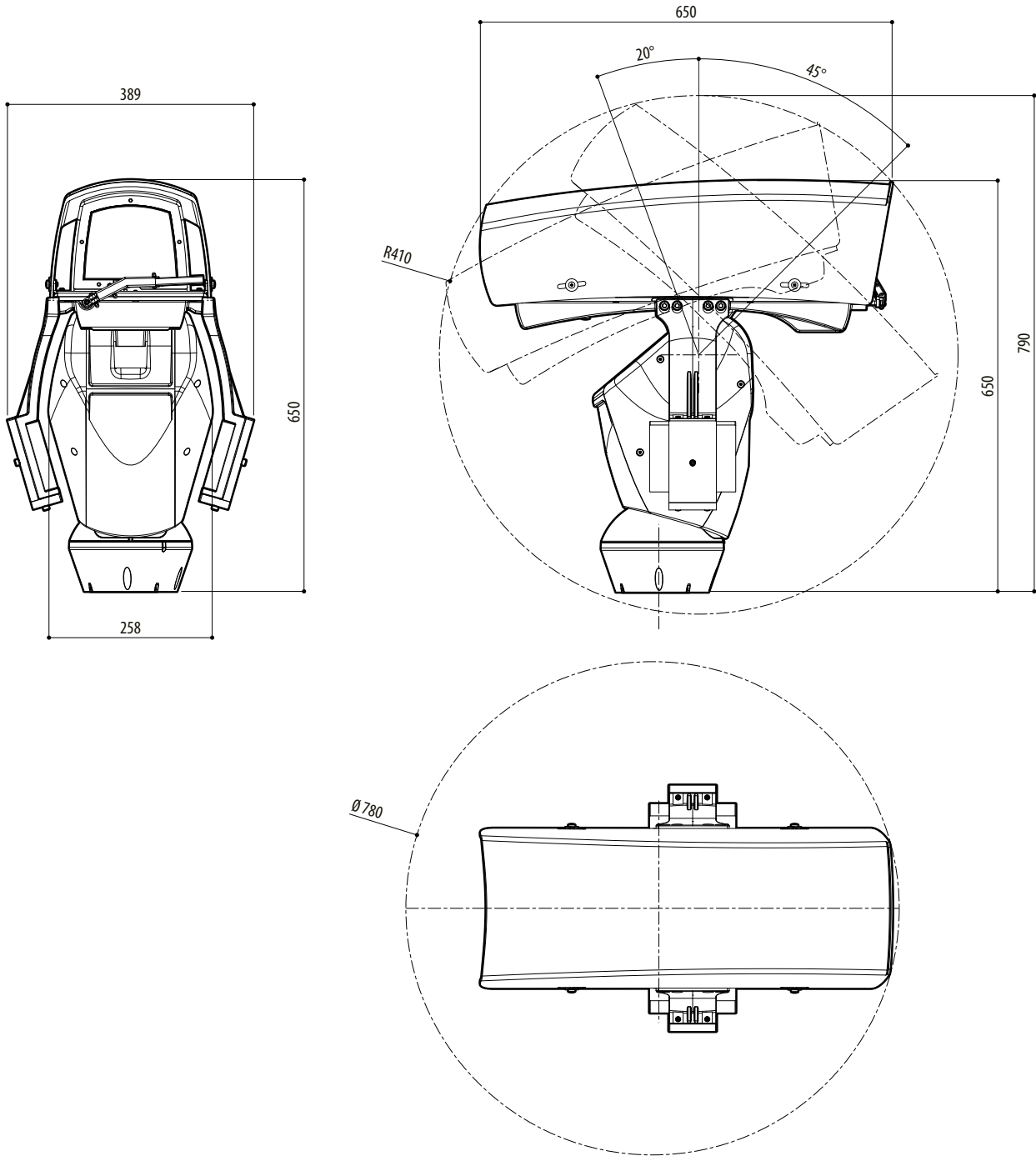
Recognition 10.3 Km / 6.3 miles

Identification 6.7 km / 4.1 miles

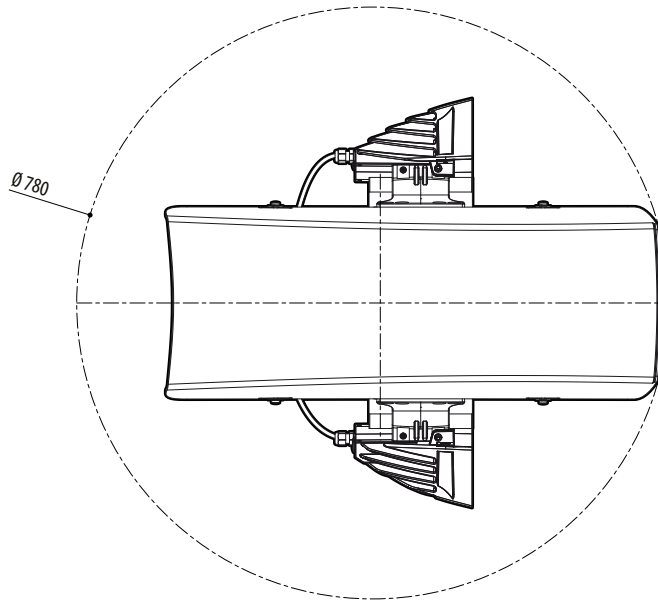
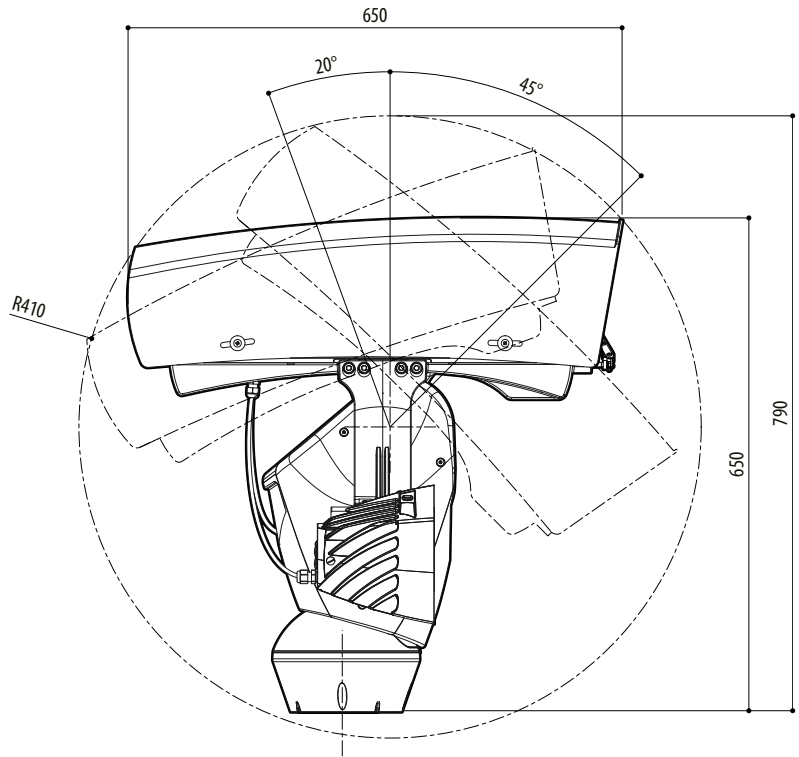
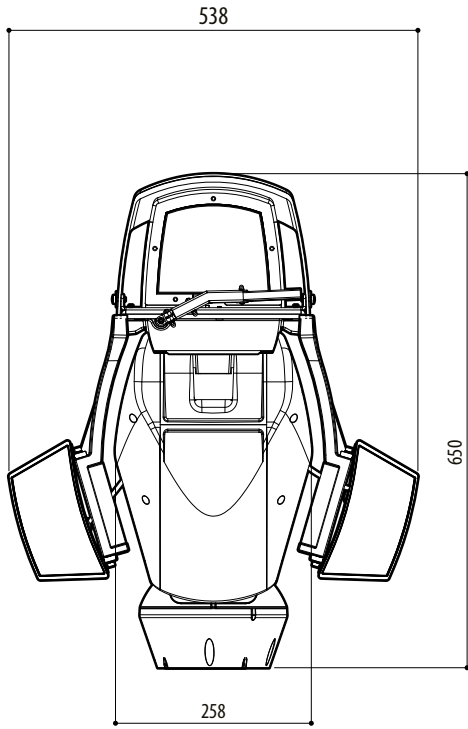
PERFORMANCES ACCORDING TO JOHNSON'S CRITERIA

**TECHNICAL DRAWINGS**

The indicated measurements are expressed in millimetres.



ULISSE RADICAL, ZOOM 33X



ULISSE RADICAL, ZOOM 33X, VERSION PRE-ARRANGED FOR THE INSTALLATION OF TWO LED ILLUMINATORS