

ULISSE RADICAL THERMAL

THERMAL PTZ CAMERA WITH UP TO 24X CONTINUOUS ZOOM



DESCRIPTION

ULISSE RADICAL THERMAL is the first Videotec ready-to-use thermal PTZ camera system that integrates exceptional factory-assembled combinations of lens and thermal camera for unsurpassed intrusion detection and visual awareness in total darkness or extreme environmental conditions.

The lens system features a continuous zoom up to 24x and an amazing AUTO FOCUS that allow quick and effective focus on targets while retaining flawless images.

ULISSE RADICAL THERMAL is provided with Analogue control or IP, certified ONVIF Profile S, and is compatible with most VMS on the market .

The Videotec's PTZ ASSISTANT plug-in software supports any VMS with the control of all special functions such as the Auto Focus.

Depending on temperature, the contrast of a scene can be adjusted dynamically by the ACE (Active Contrast Enhancement) function, while the Digital Detail Enhancement (DDE) allows more detailed and crisp images.

The STR (Spot Temperature Reading) function detects the temperature reading of a specific point of the monitored scene.

Due to its accuracy, reliability and robustness, this thermal PTZ camera is the ideal solution for the visual control of demanding outdoor areas, such as: fire detection, military installations, border patrol, harbour surveillance, perimeter surveillance, traffic, railways and highways control and industrial monitoring.

MAIN FEATURES

PTZ unit with factory-assembled and pre-configured thermal camera and lens
Continuous zoom lens, 3x thermal optics, 35-105mm and digital zoom up to 8x, 24x total zoom
Sensor: Uncooled Microbolometer (VOx), 17µm pixel dimension
Resolution 336x256 or 640x512, 7.5-8.3Hz or 25-30Hz
Analogue or IP (ONVIF S) versions
Advanced Autofocus system
Advanced Thermographic Function (STR, Spot Temperature Reading)
DDE, Digital Detail Enhancement
Dynamic adjustment of contrast (ACE, Active Contrast Enhancement)
Pre-wired camera and lens through snap-on connector for easy installation and maintenance
Total control of the auxiliary functions through the Videotec PTZ ASSISTANT (IP-based version)
Horizontal continuous rotation up to 100°/sec
Position accuracy: 0.02°
Up to 250 Presets
Operating temperature: -40°C / +65°C (-40°F / +149°F)
Power supply: 230Vac, 24Vac or 120Vac

TECHNICAL DATA

GENERAL

Constructed from aluminium and tecnopolymer
Epoxy polyester powder painting, RAL9002 colour
Top mount (OTT)
Transmission through toothed belt
Slip-ring
Electronic limit switches
Zero backlash
Pre-installed camera and lens

MECHANICAL

Cable glands: 3xM16
Horizontal rotation: 360°, continuous rotation
Vertical rotation: from -40° to +90°
Horizontal speed (variable): from 0.02°/s to 100°/s
Tilt speed (variable): from 0.02°/s to 50°/s
Internal usable area (WxHxL): 90x115x325mm (3.5x4.5x13in)
Accuracy of preset positions: 0.02°
Unit weight: 17kg (37lb)

HOUSING'S WINDOW

Germanium window

- Thick: 4mm (0.16in)
- External treatment: antiscratch (Hard Carbon Coating - DLC), antireflection
- Internal treatment: antireflection
- Spectral range: from 7.5µm to 14µm
- Medium transmittance (from 7.5µm to 11.5µm): 88.1%
- Medium transmittance (from 11.5µm to 14µm): 77.7%

ELECTRICAL

Supply voltage/Current consumption:

- 230Vac, 0.4A, 50/60Hz
- 120Vac, 0.8A, 50/60Hz
- 24Vac, 4A, 50/60Hz

Power consumption:

- 100W max
- 28.5W, P&T static, heating switched off

4 self-powered alarm inputs
2 dry contacts: 30Vdc max o 30Vac, @ 1A

NETWORK

Connector: RJ45, 10BASE-T/100BASE-T
Protocol: ONVIF, Profile S (TCP/IPv4, UDP/IPv4, HTTP, NTP, DHCP, WS-DISCOVERY, QoS, RTSP, RTCP, RTP)

SERIAL COMMUNICATIONS

Configuration through OSM
2 half-duplex serial RS-485 interfaces or full-duplex RS-422
Firmware updating from console in remote mode (PELCO D, MACRO)
Up to 999 units, addressable by means of dip-switches
Protocols supported: AMERICAN DYNAMICS, ERNITEC, PANASONIC, PELCO D, MACRO

VIDEO

Compression: H.264/AVC, JPEG
Independent video streams: 2

- Image resolution: from Full D1 (720x576 for PAL, 720x480 for NTSC) to 352x240 in 18 steps

CAMERAS

Thermal camera (336x256):

- Pixel dimension: 17µm
- Digital Zoom: 4x
- Thermal sensitivity (NEdT): < 50mK at f/1.0
- Spectral response - long wave infrared (LWIR): from 7.5µm to 13.5µm
- Internal shutter (only for sensor compensation): Video stop < 1sec.
- Scene range (High Gain): -40°C ÷ +160°C (-40°F ÷ +320°F)
- Scene range (Low Gain): -40°C ÷ +550°C (-40°F ÷ +1022°F)

Thermal camera (640x512):

- Pixel dimension: 17µm
- Digital Zoom: 8x
- Thermal sensitivity (NEdT): < 50mK at f/1.0
- Spectral response - long wave infrared (LWIR): from 7.5µm to 13.5µm
- Internal shutter (only for sensor compensation): Video stop < 1sec.
- Scene range (High Gain): -40°C ÷ +160°C (-40°F ÷ +320°F)
- Scene range (Low Gain): -40°C ÷ +550°C (-40°F ÷ +1022°F)

LENSES

3x optical zoom, 35-105mm, F1.6
Minimum focusing distance: 7m (23ft)
Field of view (640x512 pixel):

- Wide: 17.97°H, 14.33°V
- Zoom tele: 5.93°H, 4.75°V

Field of view (336x256 pixel):

- Wide: 8.98°H, 7.15°V
- Zoom tele: 2.97°H, 2.38°V

ENVIRONMENT

For installation indoors and outdoors
Operating temperature: from -40°C (-40°F) to +65°C (149°F)*
Cold start: -40°C (-40°F)
Surge immunity: up to 1kV line to line, up to 2kV line to earth (Class 4)
* *peak temperature*
Relative humidity: from 10% to 95% (no condensation)

CERTIFICATIONS

Electrical safety (CE): EN60950-1, IEC60950-1, EN62368-1, IEC62368-1
Electromagnetic compatibility (CE): EN50130-4, EN61000-6-4, EN55022 (Class A), FCC Part 15 (Class A)
Outdoor installation (CE): EN60950-22, IEC60950-22
IP protection degree: EN60529, IP66
Salty fog resistance: EN50130-5, EN60068-2-52
UL certification : cULus Listed (TYPE 4X)
EAC certification
NDAA-compliant

ACCESSORIES

UPTJBUL	Junction weatherproof box for cables connexion (according UL norm)
---------	--

BRACKETS AND ADAPTORS

UPTWBA	Wall bracket with internal cable channel
UPTWBTAB	Parapet bracket with internal cable channel
WCWGC	Corner mount adaptor
PTCC1	Pole mount adaptor

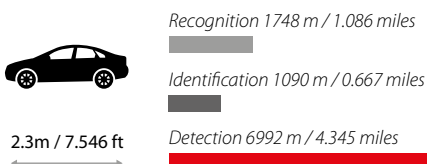
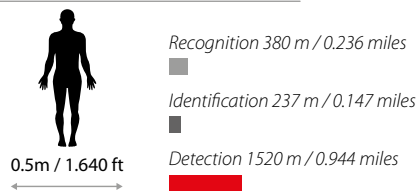
PACKAGE

Model Number	Weight	Dimensions (WxHxL)	Master carton
UPKT1AFSAN00A	20kg (44lb)	66x33x57cm (26x13x22in)	-

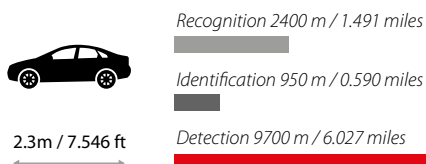
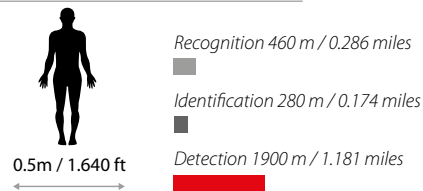
ULISSE RADICAL THERMAL - CONFIGURATION OPTIONS

	Voltage	Thermal camera	Lens			Video Output	Frequency
UPKT	1 230Vac	A 640X512 pixel	F Thermal zoom 3x	S	A	O Analog control	00A - 7.5-8.3Hz
	2 24Vac	B 336x256 pixel				N IP H.264/AVC control, Protocol ONVIF Profile S	H 25-30Hz
	3 120Vac						

ULISSE RADICAL THERMAL (640x512)



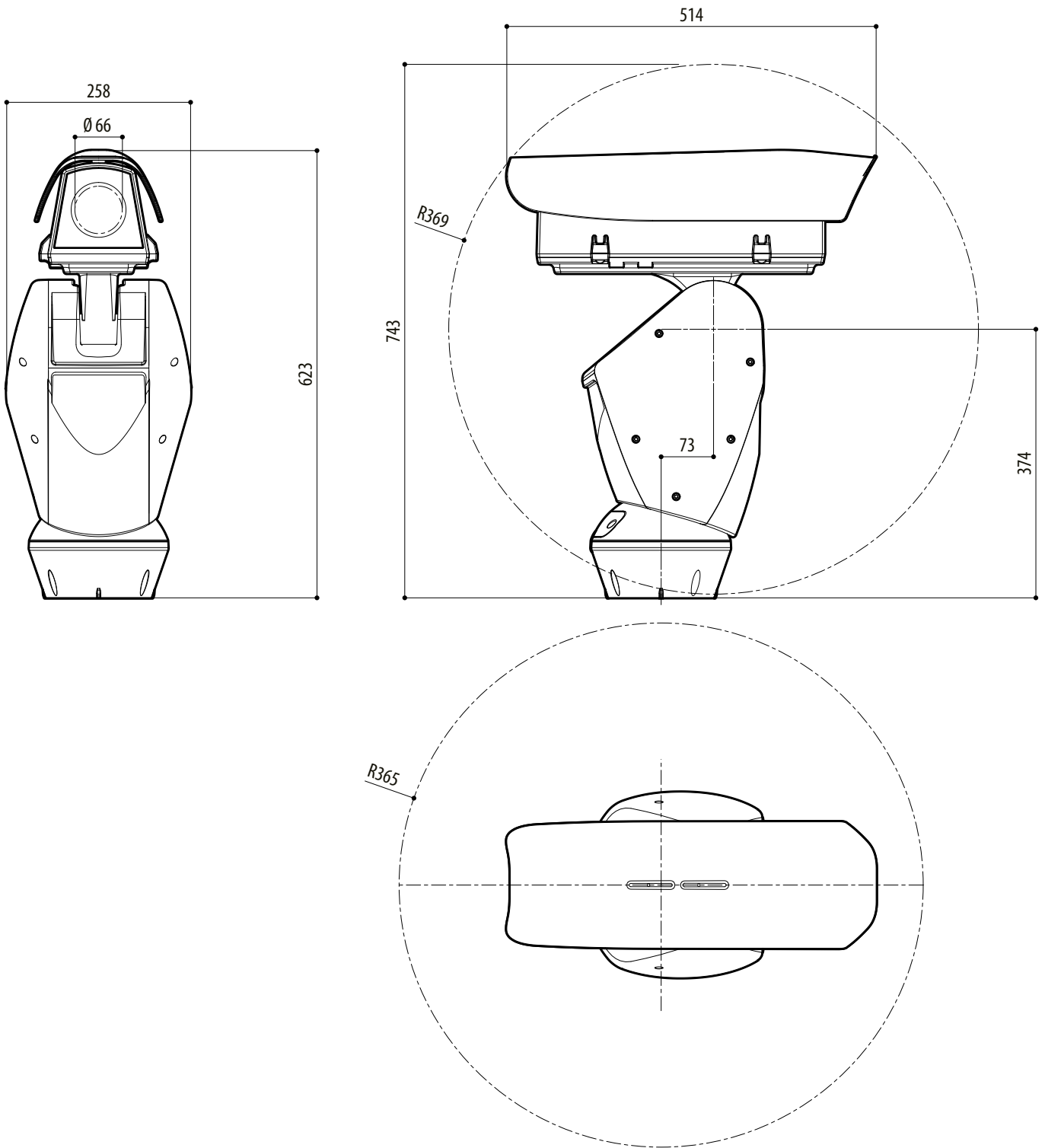
ULISSE RADICAL THERMAL (336x256)



PERFORMANCES ACCORDING TO JOHNSON'S CRITERIA

TECHNICAL DRAWINGS

The indicated measurements are expressed in millimetres.



ULISSE RADICAL THERMAL