

# ULISSE

OUTDOOR PTZ CAMERA AND UNIT FOR HIGHEST PRECISION DAY/NIGHT MONITORING



ULISSE + 2 UPTIRN



ULISSE FOR THERMAL CAMERAS

## DESCRIPTION

ULISSE PTZ camera unit ensures maximum video surveillance coverage in all outdoor environments, even the most difficult. The accurate top-mount configuration guarantees long-range vision and continuous horizontal axis rotation, combining high speed with absolute tracking accuracy, both in manual mode and in patrol mode.

ULISSE PTZ camera unit ensures maximum video surveillance coverage in all outdoor environments, even the most difficult.

This model can contain cameras with compact lenses.

To ensure detailed images even during the night hours, versions are available with LED illuminators, with infrared light or white light.

The PTZ unit can be equipped with a wiper for removing rain and dust from the front glass; there is a wide selection of jerry cans with washer pump, different capacities and delivery heads.

The optimal operation is ensured in very hot environments up to 60°C or in very cold environments up to -30°, thanks to optional enhanced heating.

Models are available for vision with a thermal camera.

## MAIN FEATURES

Housing for compact lenses

Variable speed: from 0.02°/s up to 100°/s horizontal - from 0.02°/s up to 40°/s vertical

Variable speed with UPTIRN LED illuminators: from 0.02°/s up to 40°/s horizontal - from 0.02°/s up to 30°/s vertical

Horizontal continuous rotation, vertical from -40° up to +90°

Autopan, Preset, Patrol

Position accuracy: 0.02°

Up to 250 Presets

Operating temperature: from -20°C (-4°F) up to +60°C (140°F)

Power supply: 230Vac, 24Vac or 120Vac

Options:

- Prearrangement for mounting of two UPTIRN LED illuminators
- Germanium window for thermal cameras
- Cold pack for low temperature down to -30°C (-22°F)
- Wiper

## TECHNICAL DATA

### GENERAL

Top mount (OTT)  
Transmission through toothed belt  
Slip-ring  
Electronic limit switches  
Simplified installation thanks to the connector and easy replacement on-site  
Zero backlash  
Configuration of telemetry protocol parameters through dip-switch for RS-485  
Zoom lens controller: polarity inversion and common wire  
Functions: Autopan, Preset, Patrol  
Maximum number of presets for protocol: 250 (MACRO)  
15 characters string for Area and Preset titling  
Configuration through OSM

### MECHANICAL

Constructed from aluminium and technopolymer  
Epoxy polyester powder painting, RAL9002 colour  
Horizontal rotation: 360°, continuous rotation  
Vertical rotation: from -40° up to +90°  
Horizontal speed (variable): from 0.02°/s up to 100°/s (from 0.02°/s up to 40°/s, with LED illuminators)  
Tilt speed (variable): from 0.02°/s up to 40°/s (from 0.02°/s up to 30°/s, with LED illuminators)  
Accuracy of preset positions: 0.02°  
Internal usable dimensions: See drawings  
Cable glands: 3xM16  
Unit weight: 16.3kg (36lb) (16.8kg (37lb), with LED illuminators bracket)

### HOUSING'S WINDOW

Extra clear glass window  
• Dimensions (WxH): 118x75mm (4.6x2.95in)  
Germanium window (for thermal cameras)  
• Usable diameter: 55mm (2.1in)  
• Thick: 2mm (0.08in)  
• External treatment: antiscratch (Hard Carbon Coating - DLC)  
• Internal treatment: antireflection  
• Spectral range: from 7.5µm up to 14µm  
• Medium transmittance (from 7.5µm up to 11.5µm): 90%  
• Medium transmittance (from 11.5µm up to 14µm): 77%

## ELECTRICAL

Supply voltage/Current consumption:

- 230Vac, 0.4A, 50/60Hz
- 24Vac, 4A (8A with LED illuminators), 50/60Hz
- 120Vac, 0.8A, 50/60Hz

Power consumption:

- 100W (150-190W max with LED illuminators in 24Vac)
- 24W, P&T static, heating switched off

Cables input section:

- 0.75mm<sup>2</sup> (18AWG), 120Vac or 230Vac
- 1.5mm<sup>2</sup> (16AWG), 24Vac

Cables signal section: from 0.14mm<sup>2</sup> (26AWG) up to 0.5mm<sup>2</sup> (20AWG)

Housing standard heater: 24Vac, 20W max

4 alarm inputs: from 10Vdc up to 35Vdc (2 alarm inputs, with LED illuminators)

2 dry contacts: 50Vdc max or 30Vac @ 1A (1 dry contact, with LED illuminators)

Video line: coaxial cable (1Vpp, 75 Ohm)

Camera power supply: 12Vdc (800mA)

Power supply to the lens: from 6Vdc up to 15Vdc (200mA max)

### SERIAL COMMUNICATIONS

RS-232 interface for firmware update

2-ports RS-485 for daisy chain configuration

Addressable through dip-switch up 255 units

Configuration of telemetry protocol parameters through dip-switch

Protocols supported: AMERICAN DYNAMICS, PANASONIC, PELCO D, VIDEOTEC MACRO, VISTA  
*AMERICAN DYNAMICS, PANASONIC, PELCO, VISTA are registered trademarks.*

*The product may be interfaced with devices not manufactured by VIDEOTEC. It is possible that the interface protocols have changed or are in a different configuration from earlier tested units by VIDEOTEC. VIDEOTEC recommends a test prior to installation. VIDEOTEC will not be liable for any installation costs or lost revenues in the event a compatibility problem will occur.*

## ENVIRONMENT

For indoors and outdoors installation

Operating temperature

- With heater: from -20°C (-4°F) up to +60°C (140°F)
- With reinforced heater: from -30°C (-22°F) up to +60°C (140°F)

Wind resistance (without LED illuminators):

- Operational: up to 160km/h
- Stationary: up to 210km/h

Surge immunity: up to 2kV line to line, up to 4kV line to earth (Class 4)

## CERTIFICATIONS

Electrical safety (CE): EN60950-1, IEC60950-1, EN62368-1, IEC62368-1

Electromagnetic compatibility (CE): EN50130-4, EN55022 (Class A), EN610000-6-3, FCC Part 15 (Class B)

Outdoor installation (CE): EN60950-22, IEC60950-22

Photobiological safety (CE): EN62471 (LED illuminators)

IP protection degree (EN60529):

- IP66

Salty fog resistance: EN50130-5, EN60068-2-52

UL certification: cULus Listed, TYPE 4X (not for thermal cameras version)

EAC certification

NDAA-compliant

## ACCESSORIES

UPTIRN108A00	LED illuminator for ULISSE, 10°, 850nm, 24Vac - 12/24Vdc
UPTIRN308A00	LED illuminator for ULISSE, 30°, 850nm, 24Vac - 12/24Vdc
UPTIRN608A00	LED illuminator for ULISSE, 60°, 850nm, 24Vac - 12/24Vdc
UPTIRN109A00	LED illuminator for ULISSE, 10°, 940nm, 24Vac - 12/24Vdc
UPTIRN309A00	LED illuminator for ULISSE, 30°, 940nm, 24Vac - 12/24Vdc
UPTIRN10WA00	LED illuminator for ULISSE, 10°, white light, 24Vac - 12/24Vdc
UPTIRN30WA00	LED illuminator for ULISSE, 30°, white light, 24Vac - 12/24Vdc
UPTIRN60WA00	LED illuminator for ULISSE, 60°, white light, 24Vac - 12/24Vdc
UPTIRPS230N	External power supply for ULISSE series, IN 230Vac, in weatherproof box
UPTIRPS100N	External power supply for ULISSE series, IN 100Vac, in weatherproof box
UPTIRPS120UL	External power supply for ULISSE series, IN 120Vac, in weatherproof box

UPTHT1	Cold pack for low temperature 24Vac, 30W
UPTHT2	Reinforced heater for block camera 24Vac, 30W
UPTJBUL	Junction weatherproof box for cables connexion (according UL norm)
WASPT0V5L5M00	Water tank 5l (1.3gal), pump with delivery up to 5m (16ft), IN 230Vac-24Vac-120Vac
WASPT0V23L5M00	Water tank 23l (6gal), pump with delivery up to 5m (16ft), IN 230Vac-24Vac-120Vac
WASPT0V23L11M00	Water tank 23l (6gal), pump with delivery up to 11m (36ft) with water floating, IN 230Vac-24Vac-120Vac
WASPT1V23L30M00	Water tank 23l (6gal), pump with delivery up to 30m (98ft) with water floating, IN 230Vac
WASPT3V23L30M00	Water tank 23l (6gal), pump with delivery up to 30m (98ft) with water floating, IN 120Vac
WASN1V10L20M00	Tank 10l (2.6gal) with integrated manual pump, controlled by solenoid valve, IN 230Vac, delivery head up to 30m (98ft), with 20m (66ft) antistatic water delivery pipe
WASN2V10L20M00	Tank 10l (2.6gal) with integrated manual pump, controlled by solenoid valve, IN 24Vac, delivery head up to 30m (98ft), with 20m (66ft) antistatic water delivery pipe
WASN3V10L20M00	Tank 10l (2.6gal) with integrated manual pump, controlled by solenoid valve, IN 120Vac, delivery head up to 30m (98ft), with 20m (66ft) antistatic water delivery pipe

## BRACKETS AND ADAPTORS

UPTWBA	Wall bracket with internal cable channel
UPTWB TAB	Parapet bracket with internal cable channel
PTCC1	Pole mount adaptor
WCWGC	Corner mount adaptor

## PACKAGE

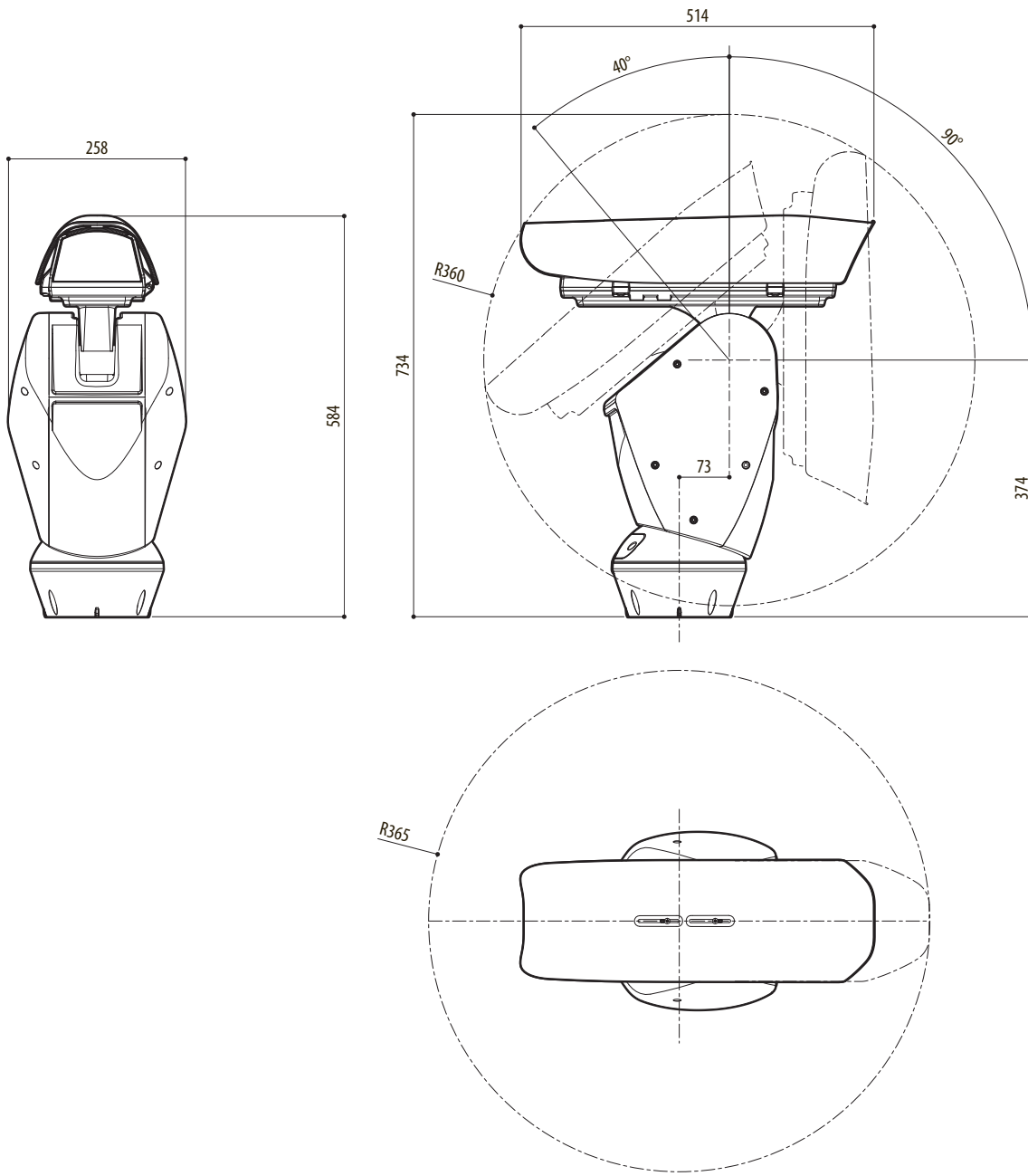
Model Number	Weight	Dimensions (WxHxL)	Master carton
UPT1SVSA000E	19.5kg (43lb)	66x33x57cm (26x13x22in)	-
UPT2SVKA000E	20kg (44lb)	66x33x57cm (26x13x22in)	-
UPT1SVGA000E	19.5kg (43lb)	66x33x57cm (26x13x22in)	-

ULISSE - CONFIGURATION OPTIONS										
	Voltage		Day/Night camera		Options		Video Output			
<b>UPT</b>	<b>1</b>	230Vac	<b>S</b>	Without camera	<b>V</b>	<b>S</b>	Without accessories	<b>A</b>	<b>0</b> Analog control	<b>OOE</b>
	<b>2</b>	24Vac				<b>W</b>	With wiper			
	<b>3</b>	120Vac				<b>K</b>	With brackets for UPTIRN (only 24Vac, illuminators not included)			
						<b>J</b>	With wiper and brackets for UPTIRN (only 24Vac, illuminators not included)			
						<b>G</b>	With germanium front window for thermal camera applications			

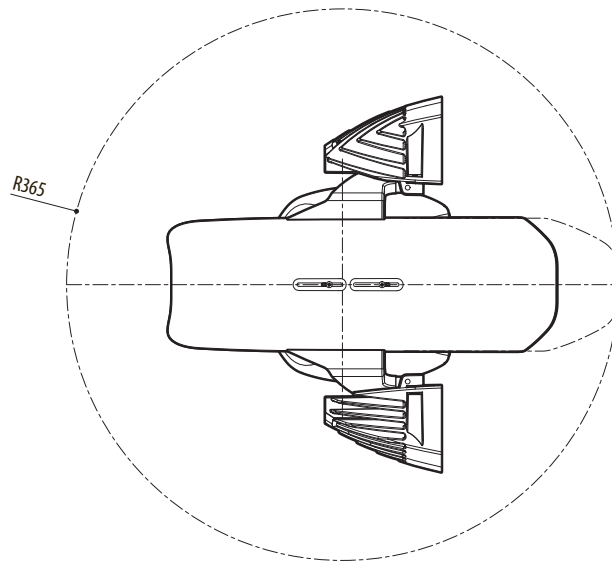
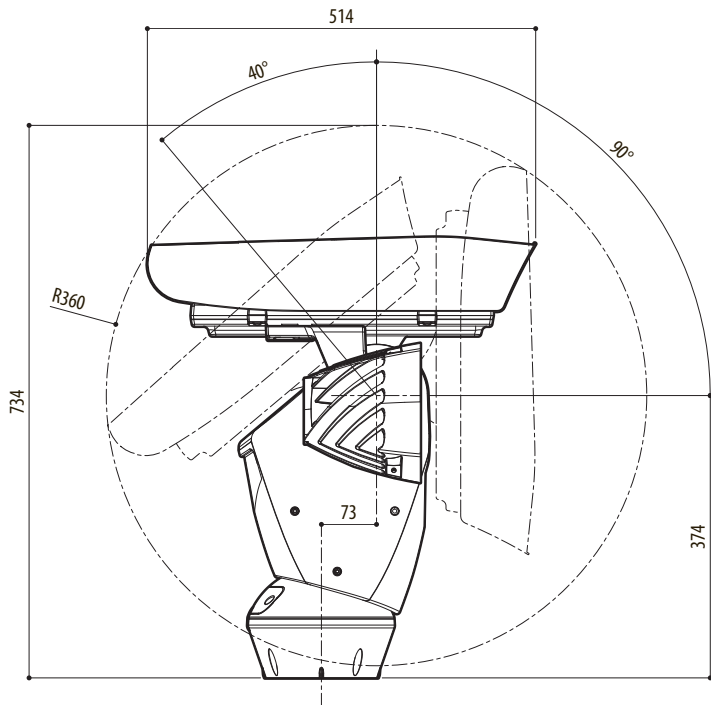
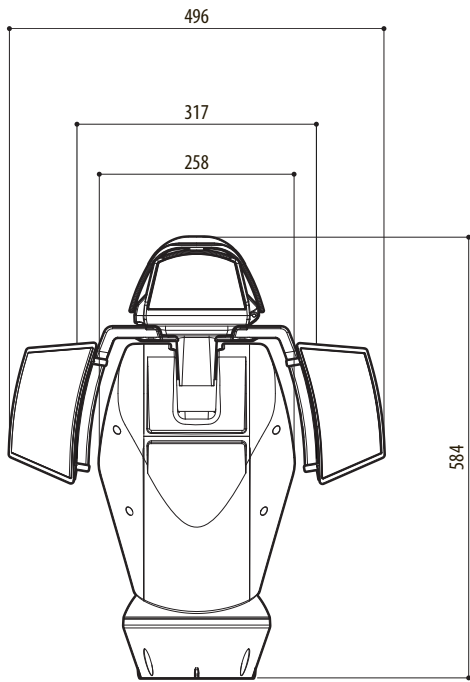
*Not all combinations are possible.*

**TECHNICAL DRAWINGS**

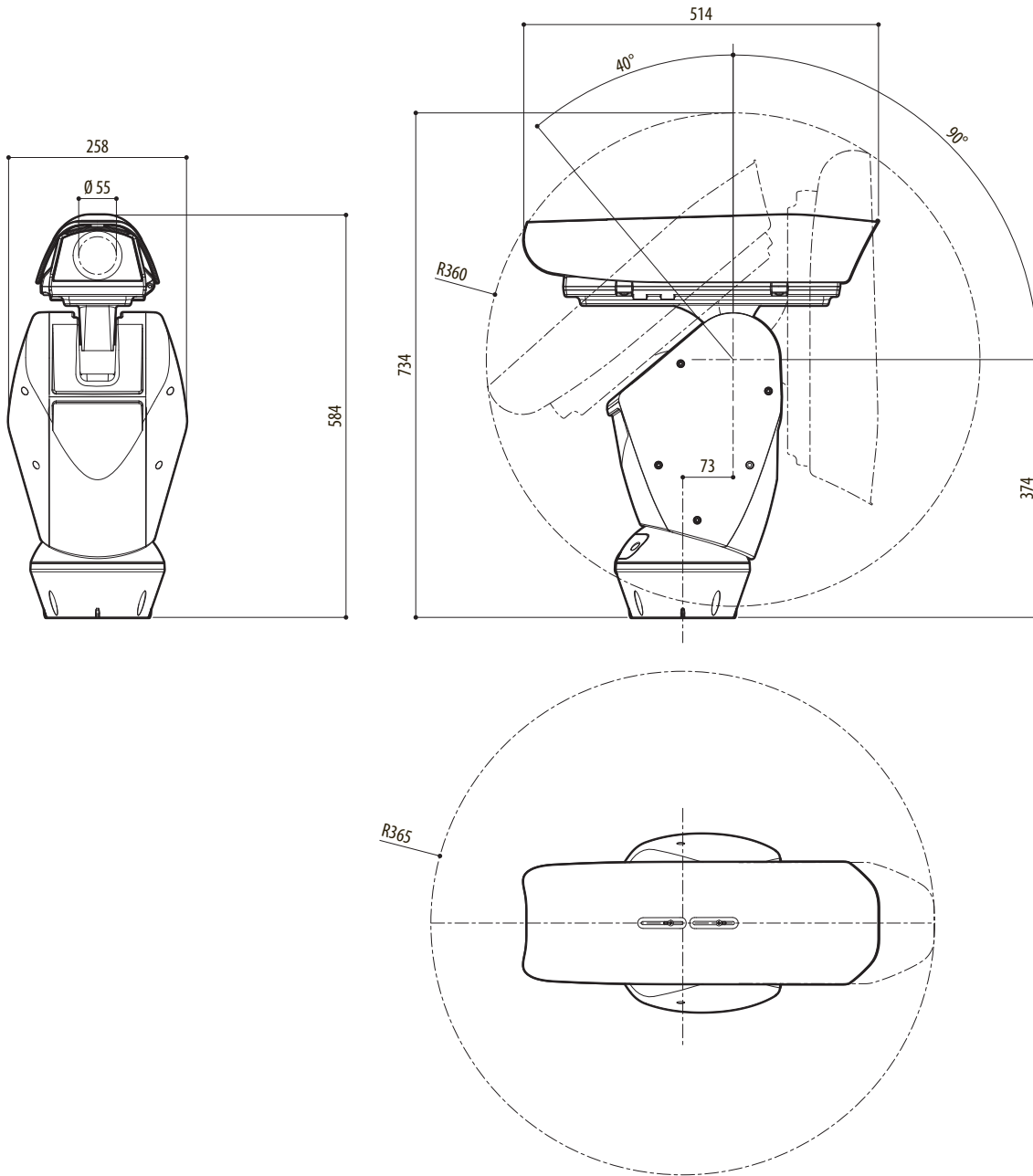
The indicated measurements are expressed in millimetres.



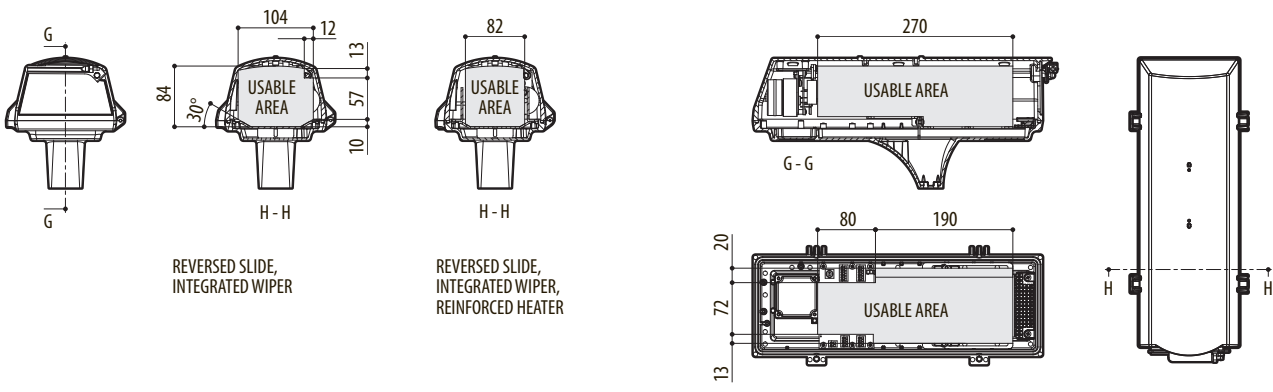
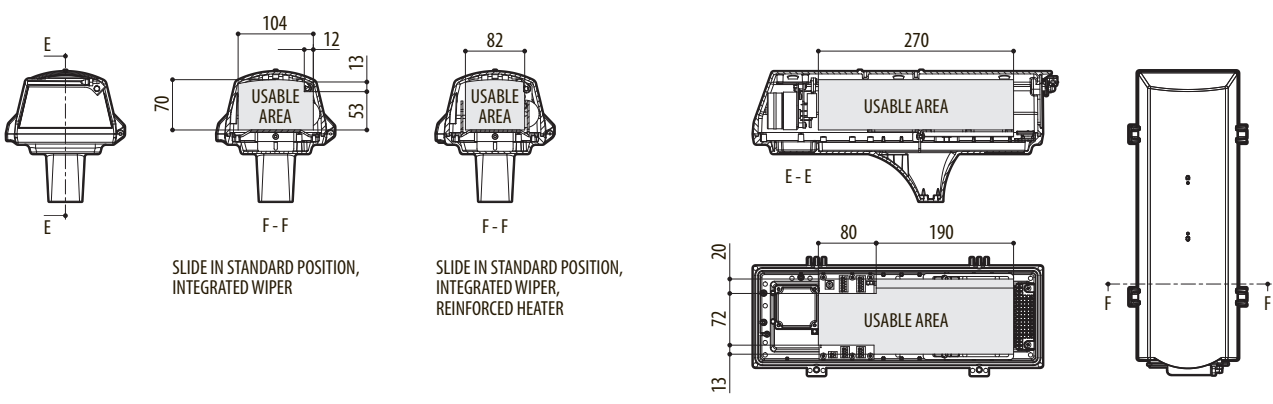
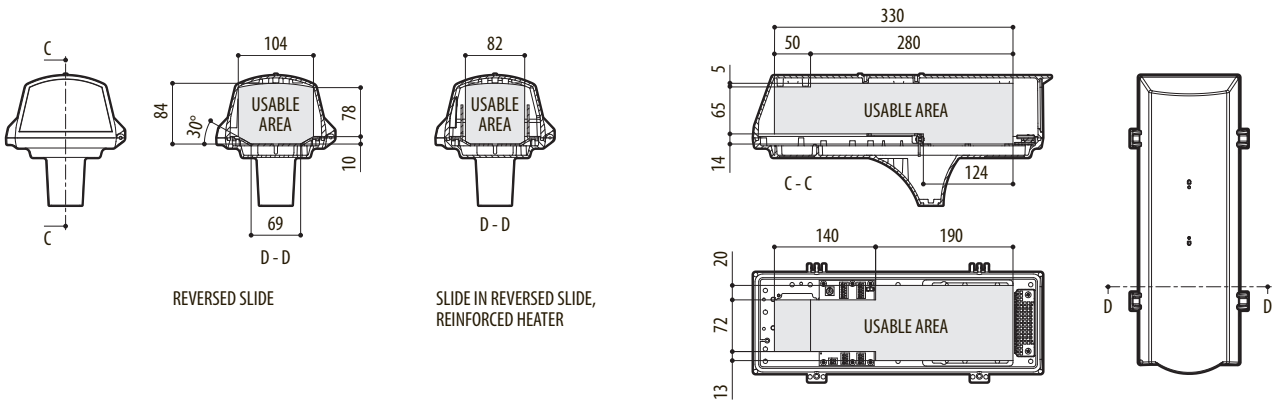
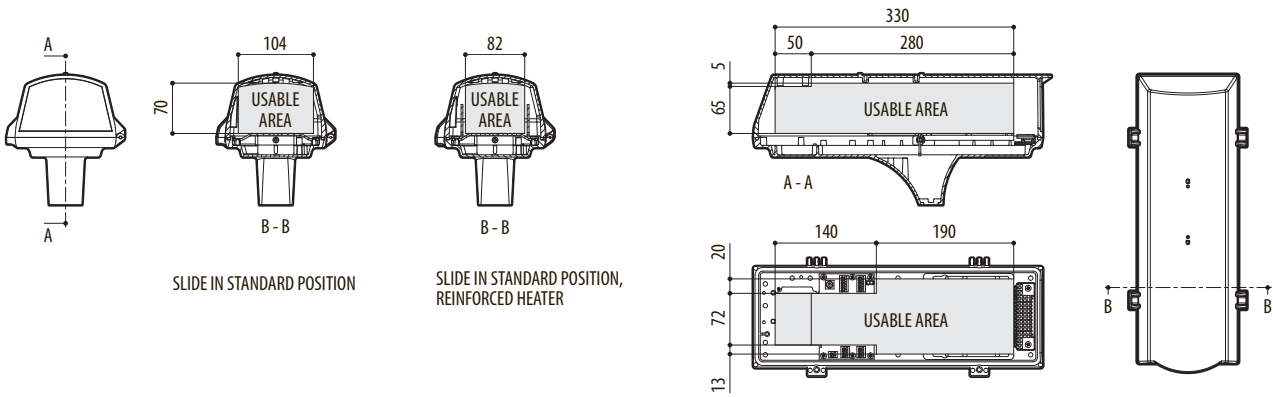
ULISSE



ULISSE, VERSION PRE-ARRANGED FOR THE INSTALLATION OF TWO LED ILLUMINATORS



ULISSE, VERSION FOR THERMAL CAMERAS



ULISSE, HOUSING



ANALOGUE CAMERAS (DAY/NIGHT)		
	Day/Night 36x	
	PAL	NTSC
Optical zoom	36x	
Wide Dynamic Range (ON, OFF, Auto)	√	
True progressive SCAN	√	
Digital image stabilization	√	
White balance	Auto, ATW, Indoor, Outdoor (Fix/Auto), Sodium Vapor Lamp (Fix/Auto), Manual	
High horizontal resolution	Up to 550 TV Lines	
Day/Night (Auto ICR)	√	
Image Sensor	1/4" EXView HAD CCD	
Number of effective Pixels	~ 440000 pixel	~ 380000 pixel
Min. Lighting Colour (IR-Cut Filter = OFF) (Interlace Mode)	1.4Lux / 1/50s 0.1 Lux / 1/3s	1.4Lux / 1/60s 0.1 Lux / 1/4s
Min. Lighting B/W (Interlace Mode)	0.01 Lux / 1/3s	0.01 Lux / 1/4s
"Shutter Time" automatic increase to improve the night surveillance	√	
S/N ratio	More than 50dB	
AE control	Automatic, Shutter priority, Diaphragm priority, Brightness priority and Manual	
Back light compensation	On/Off	
Spherical masking (3D) of Privacy zones with automatic upgrade	√	
Privacy Zone Masking	On/Off (24 positions)	
Maximum number of masking blocks to be displayed	8	
Resolution of masking blocks	160x120 HxV	
Masking	Up to 15 different masking types: 14 colour types or mosaic	
Focusing system	Auto (Sensitivity: Normal, Low), Trigger PTZ, Manual	
"Smart" lens control	Automatic Lens Reset	
High Zoom and Wide Horizontal Field of View Capability	√	
Optical zoom	36x, f=3.4 (wide) to 122.4mm (tele) / F1.6 to F4.5	
Digital Zoom	12x (432x with optical zoom)	
Horizontal field of view	57.8 degrees (wide) to 1.7 degrees (tele)	
Minimum object distance	10mm (0.4in) (wide) to 1500mm (59.1in) (tele)	
Shutter speed	1/1 ÷ 1/10000s	