

ULISSE MAXI

PTZ UNIT FOR DYNAMIC MONITORING OF LARGE OUTDOOR AREAS



ULISSE MAXI + UPTIRN



ULISSE MAXI + UPTWB TAB

DESCRIPTION

ULISSE MAXI is a robust and efficient PTZ camera unit designed to ensure dynamic, non-stop surveillance of large outdoor areas whilst withstanding harsh weather conditions.

This model can house and manage the largest motorised lenses on the market, taking a total weight of up to almost 8 kilos.

This way a single unit can provide a 360° coverage of the area to be monitored.

To ensure detailed images even during the night hours, versions are available with LED illuminators, with infrared light or white light.

The sturdy mechanical structure and the powerful motors of this PTZ are designed to guarantee maximum resistance to high operating stress, vibrations and temperatures between -10°C to +60°C.

The unit is equipped with optical sensors which ensure the accurate control of the position in any condition of use.

The unit is equipped with a wiper for removing rain and dust from the front glass; there is a wide selection of jerry cans with washer pump, different capacities and delivery heads.

Models are available for vision with a thermal camera.

MAIN FEATURES

Weatherproof housing for large-size lenses

Camera and lens maximum allowed weight of 7.6kg (17lb)

Autopan, Preset, Patrol

Variable speed: from 0.02°/s up to 20°/s Pan and Tilt

Horizontal continuous rotation, vertical: from +45° up to -20°

Optical sensors for absolute positioning feedback

Position accuracy: 0.02°

Up to 250 Presets

Integrated wiper

Operating temperature: from -10°C (14°F) up to +60°C (140°F)

Power supply: 230Vac, 24Vac or 120Vac

Options:

- Germanium window for thermal cameras
- Prearrangement for mounting of two UPTIRN LED illuminators

TECHNICAL DATA

GENERAL

Top mount (OTT)
Electronic limit switches
Zero backlash
Max weight camera+lens: 7.6kg (17lb)
Optical sensors for absolute positioning feedback
Maximum number of presets: 250 (VIDEOTEC MACRO)
15 characters string for Area and Preset titling
Configuration through OSM
Addressable up to 255 units through DIP-switch

MECHANICAL

Constructed from aluminium and technopolymer
Epoxy polyester powder painting, RAL9002 colour
Horizontal rotation: 360°, continuous rotation
Vertical rotation: from -20° up to +45°
Horizontal speed (variable): from 0.02°/s up to 20°/s
Tilt speed (variable): from 0.02°/s up to 20°/s
Transmission through toothed belt
Accuracy of preset positions: 0.02°
Internal usable dimensions: See drawings
Cable glands: 3xM16
Unit weight: 30kg (66lb)

HOUSING'S WINDOW

Extra clear glass window
• Dimensions: 112mm (4.4in)x95mm (3.7in)
Germanium window
• Usable diameter: 70mm (2.8in)
• Thick: 2mm (0.08in)
• External treatment: antiscratch (Hard Carbon Coating - DLC)
• Internal treatment: antireflection
• Spectral range: from 7.5µm up to 14µm
• Medium transmittance (from 7.5µm up to 11.5µm): 90%
• Medium transmittance (from 11.5µm up to 14µm): 77%

ELECTRICAL

Supply voltage/Current consumption:
• 230Vac, 0.4A, 50/60Hz
• 24Vac, 4A (8A with LED illuminators), 50/60Hz
• 120Vac, 0.8A, 50/60Hz
Power consumption:
• 100W
• 150-190W max with LED illuminators in 24Vac
• 24W, P&T static, heating switched off
Camera power supply: 12Vdc, 800mA
Cables input section:
• 0.75mm² (18AWG), 120Vac or 230Vac
• 1.5mm² (16AWG), 24Vac
Cables signal section: from 0.14mm² (26AWG) up to 0.5mm² (20AWG)

SERIAL COMMUNICATIONS

RS-232 interface for firmware update
2-ports RS-485 for daisy chain configuration
Configuration of telemetry protocol parameters via DIP-switch
Protocols supported:
• AMERICAN DYNAMICS
• PANASONIC
• PELCO D
• MACRO
• VISTA

VIDEO

Video line: coaxial cable (1Vpp, 750hm)

ENVIRONMENT

For indoors and outdoors installation
Operating temperature (with heater): from -10°C (14°F) up to +60°C (140°F)
Relative humidity: from 10% up to 95% (no condensation)

CERTIFICATIONS

Electrical safety (CE): EN60950-1, EN62368-1
Electromagnetic compatibility (CE): EN50130-4, EN55022 (Class B), FCC Part 15 (Class B)
Outdoor installation (CE): EN60950-22
IP protection degree (EN60529):
• IP66
Salty fog resistance: EN50130-5, EN60068-2-52
EAC certification
NDAA-compliant

ACCESSORIES

UPTJBUL	Junction weatherproof box for cables connexion (according UL norm)
UPTIRN108A00	LED illuminator for ULISSE, 10°, 850nm, 24Vac - 12/24Vdc
UPTIRN308A00	LED illuminator for ULISSE, 30°, 850nm, 24Vac - 12/24Vdc
UPTIRN608A00	LED illuminator for ULISSE, 60°, 850nm, 24Vac - 12/24Vdc
UPTIRN109A00	LED illuminator for ULISSE, 10°, 940nm, 24Vac - 12/24Vdc
UPTIRN309A00	LED illuminator for ULISSE, 30°, 940nm, 24Vac - 12/24Vdc
UPTIRN10WA00	LED illuminator for ULISSE, 10°, white light, 24Vac - 12/24Vdc
UPTIRN30WA00	LED illuminator for ULISSE, 30°, white light, 24Vac - 12/24Vdc
UPTIRN60WA00	LED illuminator for ULISSE, 60°, white light, 24Vac - 12/24Vdc
UPTIRPS230N	External power supply for ULISSE series, IN 230Vac, in weatherproof box
UPTIRPS100N	External power supply for ULISSE series, IN 100Vac, in weatherproof box
UPTIRPS120UL	External power supply for ULISSE series, IN 120Vac, in weatherproof box
WASPT0V5L5M00	Water tank 5l (1.3gal), pump with delivery up to 5m (16ft), IN 230Vac-24Vac-120Vac
WASPT0V23L5M00	Water tank 23l (6gal), pump with delivery up to 5m (16ft), IN 230Vac-24Vac-120Vac

WASPT0V23L11M00	Water tank 23l (6gal), pump with delivery up to 11m (36ft) with water floating, IN 230Vac-24Vac-120Vac
WASPT1V23L30M00	Water tank 23l (6gal), pump with delivery up to 30m (98ft) with water floating, IN 230Vac
WASPT3V23L30M00	Water tank 23l (6gal), pump with delivery up to 30m (98ft) with water floating, IN 120Vac
WASN1V10L20M00	Tank 10l (2.6gal) with integrated manual pump, controlled by solenoid valve, IN 230Vac, delivery head up to 30m (98ft), with 20m (66ft) antistatic water delivery pipe
WASN2V10L20M00	Tank 10l (2.6gal) with integrated manual pump, controlled by solenoid valve, IN 24Vac, delivery head up to 30m (98ft), with 20m (66ft) antistatic water delivery pipe
WASN3V10L20M00	Tank 10l (2.6gal) with integrated manual pump, controlled by solenoid valve, IN 120Vac, delivery head up to 30m (98ft), with 20m (66ft) antistatic water delivery pipe

BRACKETS AND ADAPTORS

UPTWBA	Wall bracket with internal cable channel
UPTWBTAB	Parapet bracket with internal cable channel
WCWGC	Corner mount adaptor
PTCC1	Pole mount adaptor

PACKAGE

Model Number	Weight	Dimensions (WxHxL)	Master carton
UPT1SLWA000E	38kg (84lb)	76x41x67cm (30x16x26.4in)	-
UPT1SLGA000E	38kg (84lb)	76x41x67cm (30x16x26.4in)	-

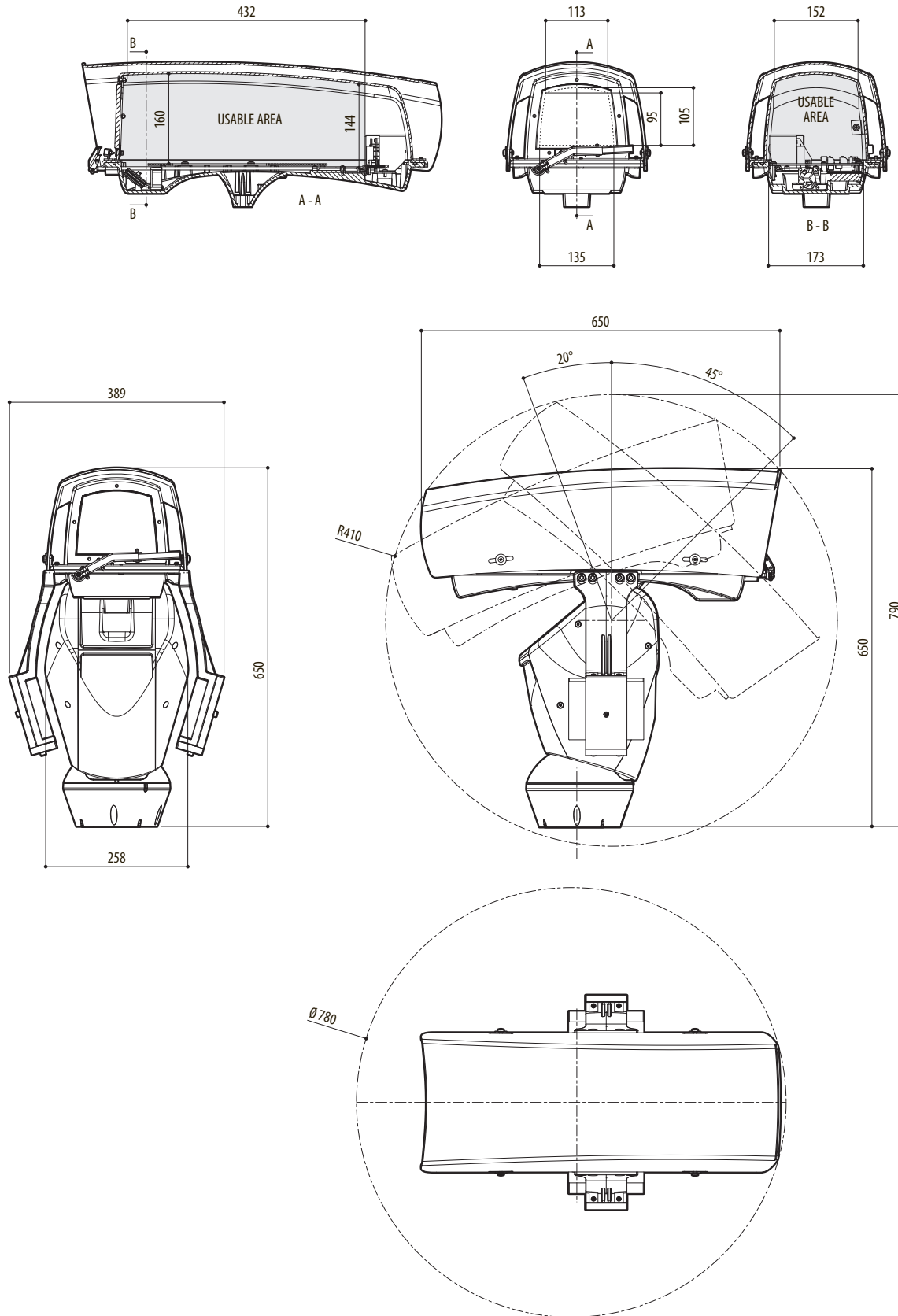
ULISSE MAXI - CONFIGURATION OPTIONS

	Voltage		Options		Video Output	
UPT	1 230Vac	SL	W 230Vac and 120Vac, with wiper	A	0 Analog control	00E
	2 24Vac		J 24Vac, with wiper and prearrangement for mounting of two UPTIRN (illuminators not included)			
	3 120Vac		G With germanium front window for thermal camera applications			

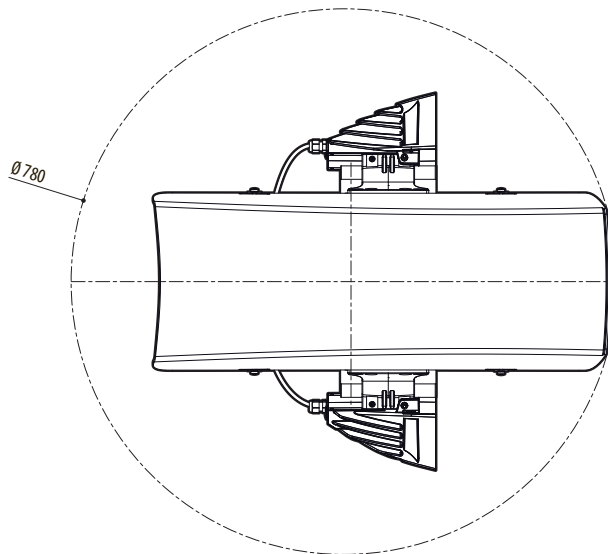
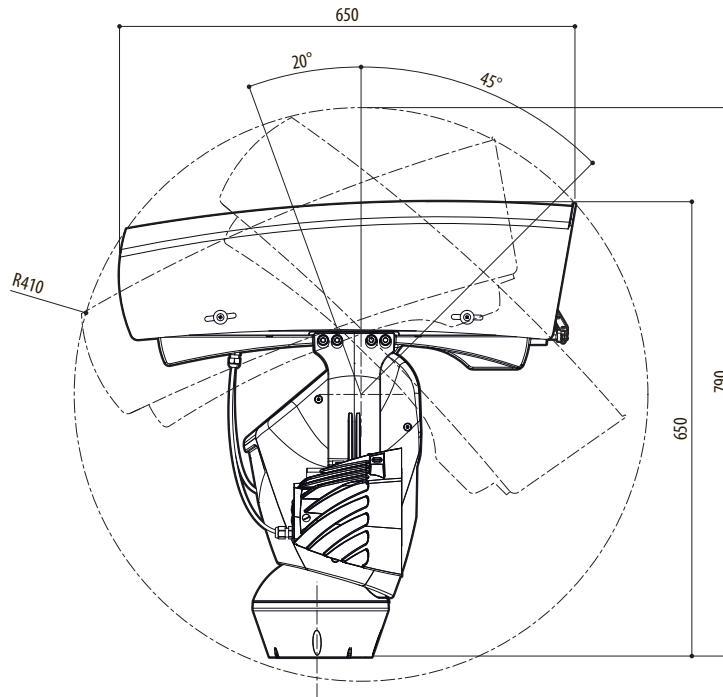
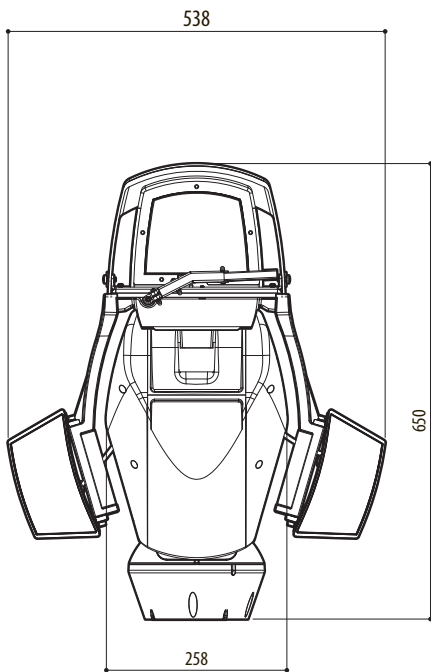
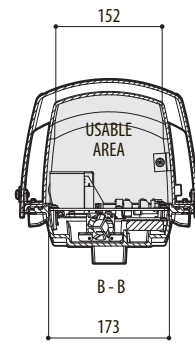
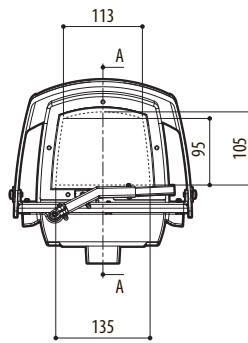
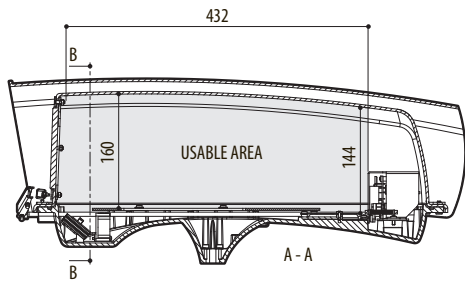
Not all combinations are possible.

TECHNICAL DRAWINGS

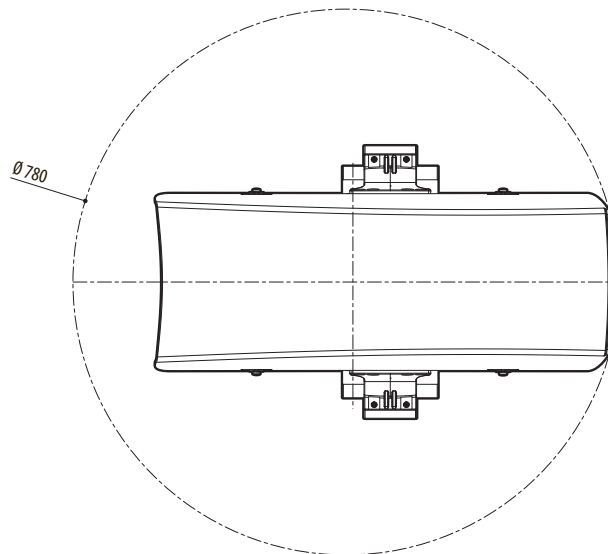
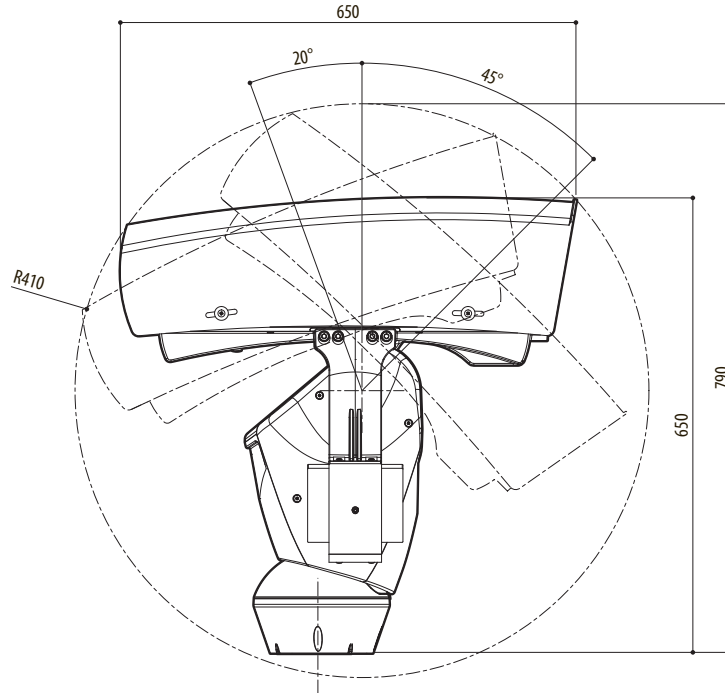
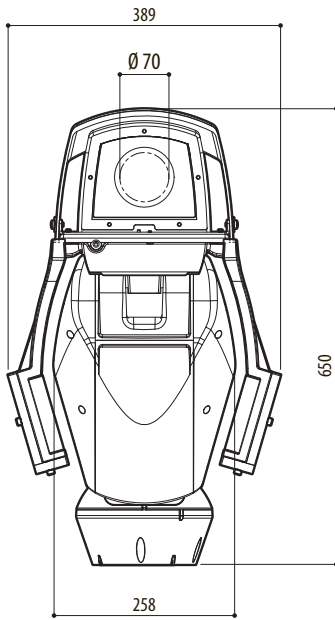
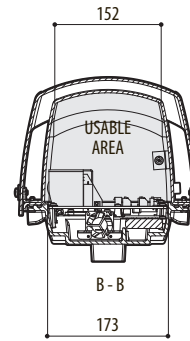
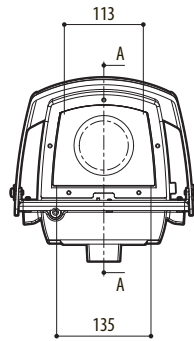
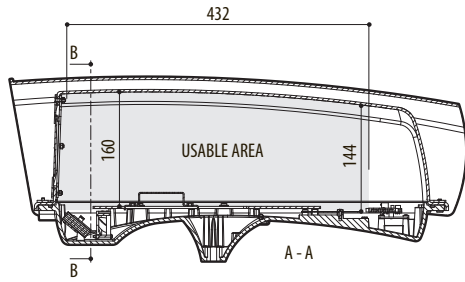
The indicated measurements are expressed in millimetres.



ULISSE MAXI



ULISSE MAXI, VERSION PRE-ARRANGED FOR THE INSTALLATION OF TWO LED ILLUMINATORS



ULISSE MAXI, VERSION FOR THERMAL CAMERAS