

# ULISSE MAXI NETCAM

FULL IP PTZ UNIT FOR NETWORK CAMERAS FOR DYNAMIC MONITORING OF LARGE OUTDOOR AREAS



ULISSE MAXI NETCAM + 2 UPTIRN

ULISSE MAXI NETCAM + UPTWBTAB



## DESCRIPTION

ULISSE MAXI NETCAM is a powerful Full-IP PTZ for outdoor IP video surveillance, which can manage modern IP SD, HD and Megapixel cameras, with integration in a network system.

This model can house and manage the largest motorised lenses on the market, taking a total weight of up to almost 8 kilos.

This way a single unit can provide a 360° coverage of the area to be monitored.

A special feature of ULISSE MAXI NETCAM is the ability to easily control, via the network, all the camera's pan & tilt functions, including wiper, preset and set-up, using the most common VMS on the market.

It is possible to use any ONVIF compatible Profile S camera, or proprietary protocol on RS-485, whilst the entire management of the system only requires an IP address.

The Videotec's PTZ ASSISTANT plug-in software supports any VMS with the control of all special functions such as wiper, washer pump and IR.

The unit is equipped with a wiper for removing rain and dust from the front glass; there is a wide selection of jerry cans with washer pump, different capacities and heads.

To ensure detailed images even during the night hours, versions are available with LED illuminators, with infrared light or white light.

The sturdy mechanical structure and the powerful motors of this PTZ are designed to guarantee maximum resistance to high operating stress, vibrations and temperatures between -10°C to +60°C.

The unit is equipped with optical sensors which ensure the accurate control of the position in any condition of use.

Models are available for vision with a thermal camera.

## MAIN FEATURES

Weatherproof housing for large-size lenses

Camera and lens maximum allowed weight of 7.6kg (17lb)

For Network cameras compatible with ONVIF protocol, Profile S, or equipped with RS485 serial port

Direct access to camera web pages via VT Tunneling

Autopan, Preset, Patrol

Variable speed: from 0.02°/s up to 20°/s Pan and Tilt

Horizontal continuous rotation, vertical: from +45° up to -20°

Optical sensors for absolute positioning feedback

Position accuracy: 0.02°

Up to 250 Presets

Integrated wiper

Total control of the auxiliary functions through the Videotec PTZ ASSISTANT

Operating temperature: from -10°C (14°F) up to +60°C (140°F)

Power supply: 230Vac, 24Vac or 120Vac

Options:

- Germanium window for thermal cameras
- Prearrangement for mounting of two UPTIRN LED illuminators

## TECHNICAL DATA

### GENERAL

Top mount (OTT)  
Transmission through toothed belt  
Slip-ring  
Electronic limit switches  
Simplified installation thanks to the connector and easy replacement on-site  
Zero backlash  
Max weight camera+lens: 7.6kg (17lb)  
Encoder for absolute positioning  
Configuration of telemetry protocol parameters through dip-switch for RS-485

### MECHANICAL

Constructed from aluminium and tecnopolymer  
Epoxy polyester powder painting, RAL9002 colour  
Horizontal rotation: 360°, continuous rotation  
Vertical rotation: from -20° up to +45°  
Horizontal speed (variable): from 0.02°/s up to 20°/s  
Tilt speed (variable): from 0.02°/s up to 20°/s  
Accuracy of preset positions: 0.02°  
Internal usable area: See drawings  
Cable glands: 3xM16  
Unit weight: 30kg (66lb)

### HOUSING'S WINDOW

Glass window extra clear

- Dimensions: 112mm (4.4in)x95mm (3.7in)

Germanium window

- Usable diameter: 70mm (2.8in)
- Thick: 2mm (0.08in)
- External treatment: antiscratch (Hard Carbon Coating - DLC), antireflection
- Internal treatment: antireflection
- Spectral range: from 7.5µm up to 14µm
- Medium transmittance (from 7.5µm up to 11.5µm): 90%
- Medium transmittance (from 11.5µm up to 14µm): 77%

### ELECTRICAL

Suitable for use with network cameras  
Supply voltage/Current consumption:

- 230Vac, 0.4A, 50/60Hz
- 24Vac, 4A (8A, with LED illuminators), 50/60Hz
- 120Vac, 0.8A, 50/60Hz

Power consumption:

- 100W
- 150-190W max with LED illuminators in 24Vac
- 24W, P&T static, heating switched off

Camera power supply: 12Vdc (800mA)  
4 self-powered alarm inputs  
2 dry contacts: 30Vdc max or 30Vac, 1A max

### NETWORK

Ethernet connection: IEEE 802.3 100Base-Tx  
ONVIF, Profile S

### ENVIRONMENT

For installation indoors and outdoors  
Operating temperature (with heater): from -10°C (14°F) up to +60°C (140°F)  
Surge immunity: up to 2kV line to line, up to 4kV line to earth (Class 4)  
Relative humidity: from 10% up to 95% (no condensation)

### CERTIFICATIONS

Electrical safety (CE): EN60950-1, EN62368-1  
Electromagnetic compatibility (CE): EN50130-4, EN55022 (Class A), FCC Part 15 (Class A)  
Outdoor installation: EN60950-22  
Photobiological safety (CE): EN62471 (LED illuminators)  
IP protection degree (EN60529):

- IP66

Salty fog resistance: EN50130-5, EN60068-2-52  
EAC certification

**ACCESSORIES**

UPTJBUL	Junction weatherproof box for cables connexion (according UL norm)
UPTIRN108A00	LED illuminator for ULISSE, 10°, 850nm, 24Vac - 12/24Vdc
UPTIRN308A00	LED illuminator for ULISSE, 30°, 850nm, 24Vac - 12/24Vdc
UPTIRN608A00	LED illuminator for ULISSE, 60°, 850nm, 24Vac - 12/24Vdc
UPTIRN109A00	LED illuminator for ULISSE, 10°, 940nm, 24Vac - 12/24Vdc
UPTIRN309A00	LED illuminator for ULISSE, 30°, 940nm, 24Vac - 12/24Vdc
UPTIRN10WA00	LED illuminator for ULISSE, 10°, white light, 24Vac - 12/24Vdc
UPTIRN30WA00	LED illuminator for ULISSE, 30°, white light, 24Vac - 12/24Vdc
UPTIRN60WA00	LED illuminator for ULISSE, 60°, white light, 24Vac - 12/24Vdc
UPTIRPS230N	External power supply for ULISSE series, prearranged for two LED illuminators, and control to synchronize IR illuminators with camera Day/Night switching, IN 230Vac, in weatherproof box. Twilight sensor included.
UPTIRPS100N	External power supply for ULISSE series, prearranged for two LED illuminators, and control to synchronize IR illuminators with camera Day/Night switching, IN 100Vac, in weatherproof box
UPTIRPS120UL	External power supply for ULISSE series, prearranged for two LED illuminators, and control to synchronize IR illuminators with camera Day/Night switching, IN 120Vac, in weatherproof box. Twilight sensor included.
WASPT0V5L5M00	Water tank 5l (1.3gal), pump with delivery up to 5m (16ft), IN 230Vac-24Vac-120Vac
WASPT0V23L5M00	Water tank 23l (6 gal), pump with delivery up to 5m (16ft), IN 230Vac-24Vac-120Vac
WASPT0V23L11M00	Water tank 23l (6 gal), pump with delivery up to 11m (36ft) with water floating, IN 230Vac-24Vac-120Vac
WASPT1V23L30M00	Water tank 23l (6 gal), pump with delivery up to 30m (98ft) with water floating, IN 230Vac
WASPT3V23L30M00	Water tank 23l (6 gal), pump with delivery up to 30m (98ft) with water floating, IN 120Vac
WASN1V10L20M00	Tank 10l (2.6gal) with integrated manual pump controlled by solenoid valve, delivery head up to 20m (66ft) max, IN 230Vac
WASN2V10L20M00	Tank 10l (2.6gal) with integrated manual pump controlled by solenoid valve, delivery head up to 20m (66ft) max, IN 24Vac
WASN3V10L20M00	Tank 10l (2.6gal) with integrated manual pump controlled by solenoid valve, delivery head up to 20m (66ft) max, IN 120Vac

**BRACKETS AND ADAPTORS**

UPTWBA	Wall bracket with internal cable channel
UPTWBTAB	Parapet bracket with internal cable channel
WCWGC	Corner mount adaptor
PTCC1	Pole mount adaptor

**PACKAGE**

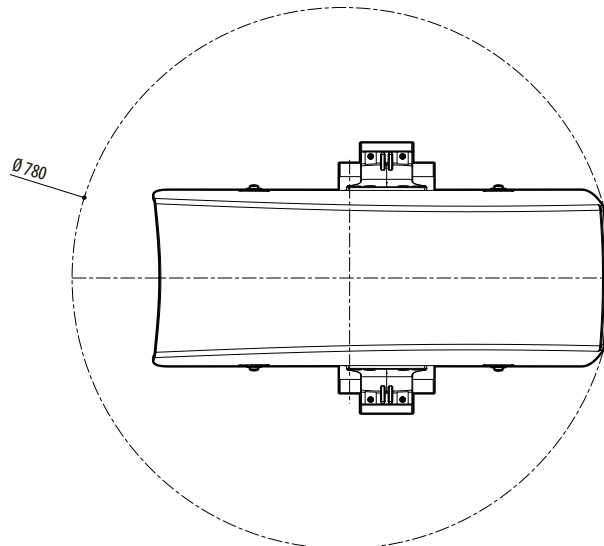
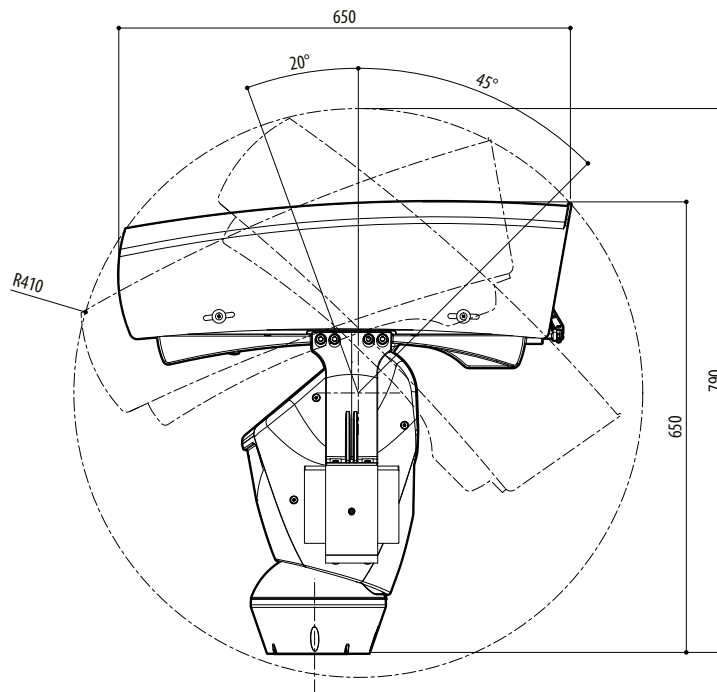
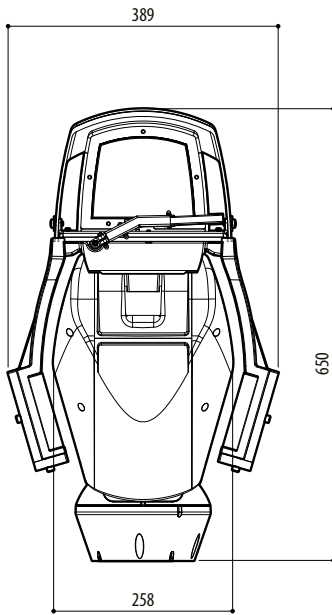
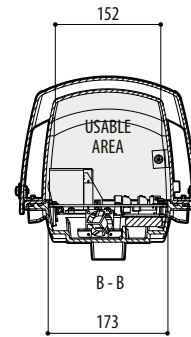
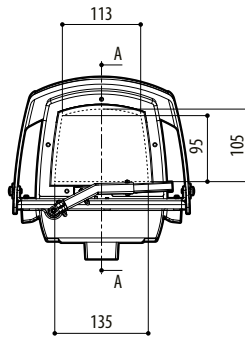
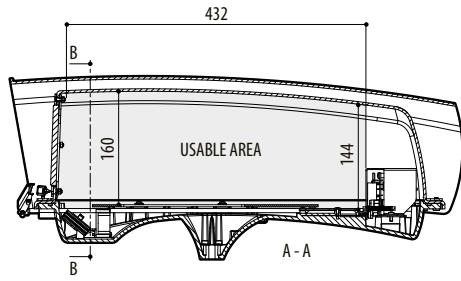
Model Number	Weight	Dimensions (WxHxL)	Master carton
UPT1SLWAN00E	38kg (84lb)	76x41x67cm (30x16x26.4in)	-

ULISSE MAXI NETCAM - CONFIGURATION OPTIONS							
	Voltage		Options		Video Output		
<b>UPT</b>	<b>1</b>	230Vac	<b>SL</b>	<b>W</b> 230Vac and 120Vac, with wiper	<b>A</b>	<b>N</b> For Network cameras compatible with ONVIF protocol, Profile S, or with built-in telemetry output	<b>00E</b>
	<b>2</b>	24Vac		<b>J</b> 24Vac, with wiper and prearrangement for mounting of two UPTIRN (illuminators not included)			
	<b>3</b>	120Vac		<b>G</b> With germanium front window for thermal camera applications			

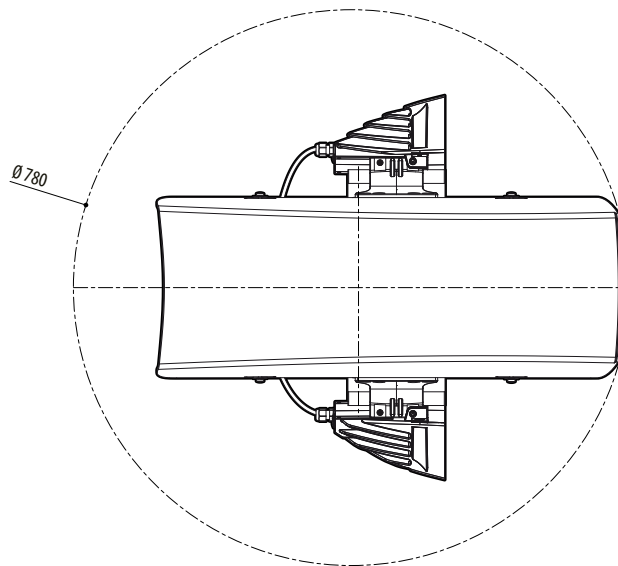
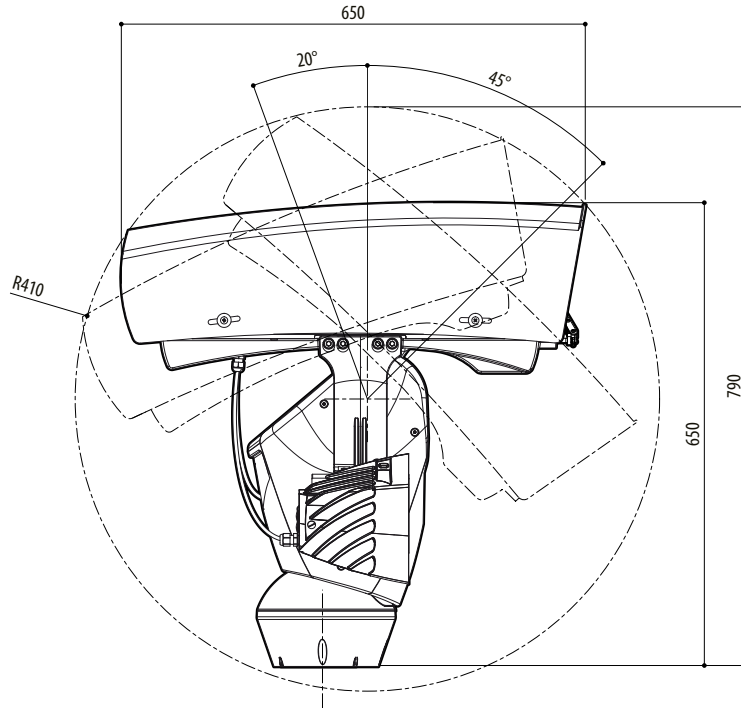
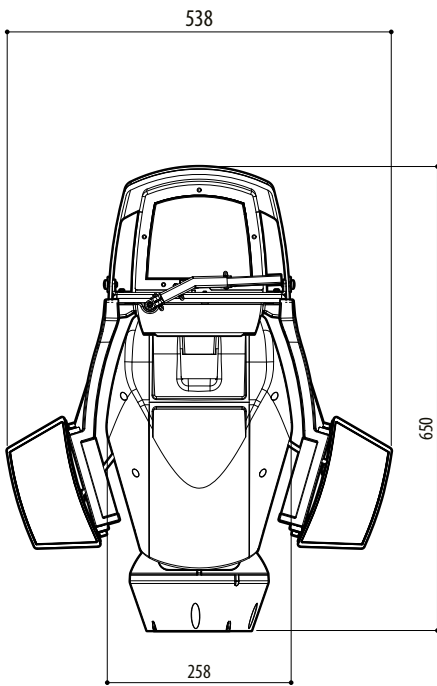
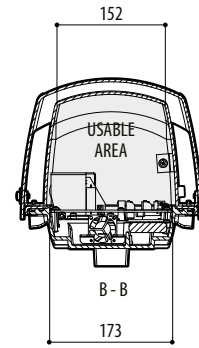
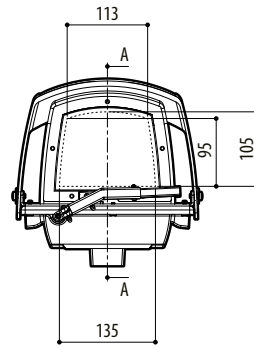
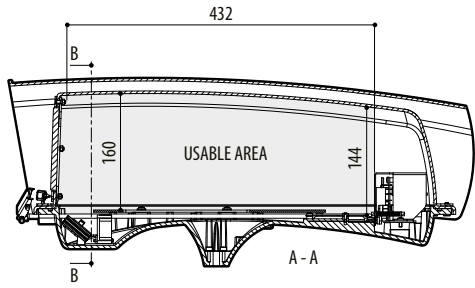
*Not all combinations are possible.*

# TECHNICAL DRAWINGS

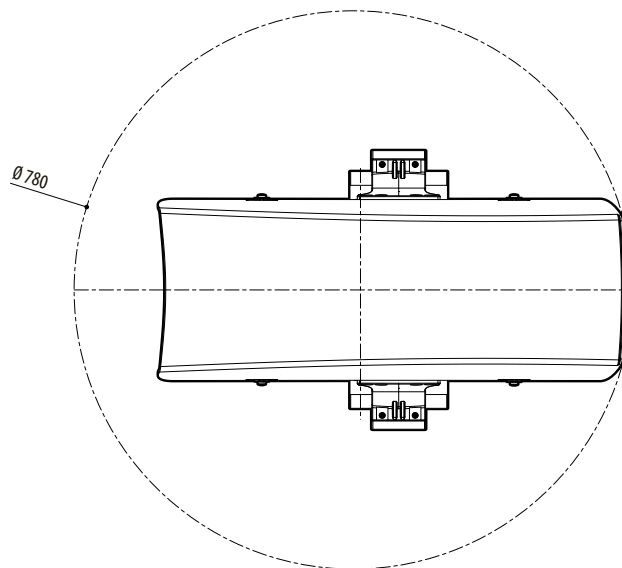
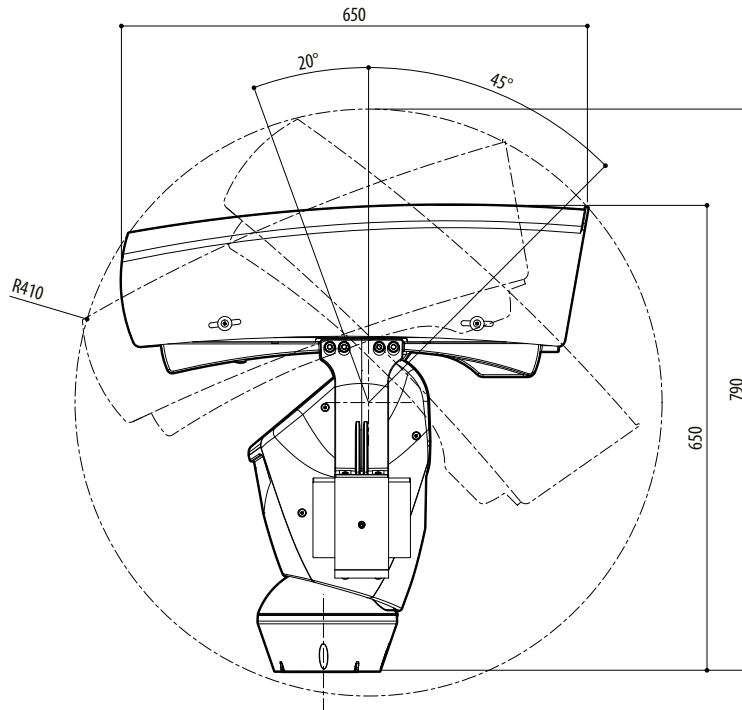
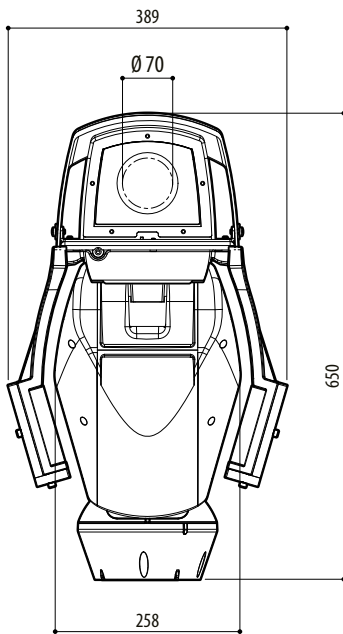
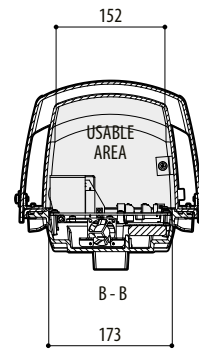
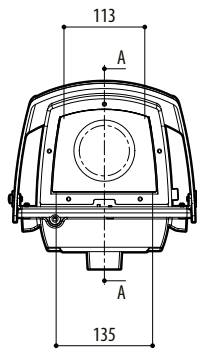
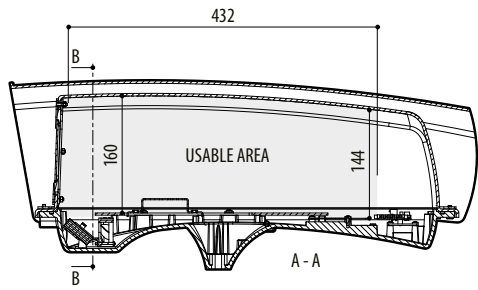
The dimensions of the drawings are in millimetres.



ULISSE MAXI NETCAM



ULISSE MAXI NETCAM, VERSION PRE-ARRANGED FOR THE INSTALLATION OF TWO LED ILLUMINATORS



ULISSE MAXI NETCAM, VERSION FOR THERMAL CAMERAS