

LMP-2012G-SFP Series

20-Port Industrial Gigabit PoE+ Light Layer 3 Managed Ethernet Switch, with 8*10/100/1000Tx (30W/Port) and 12*100/1000 SFP Slots



Features

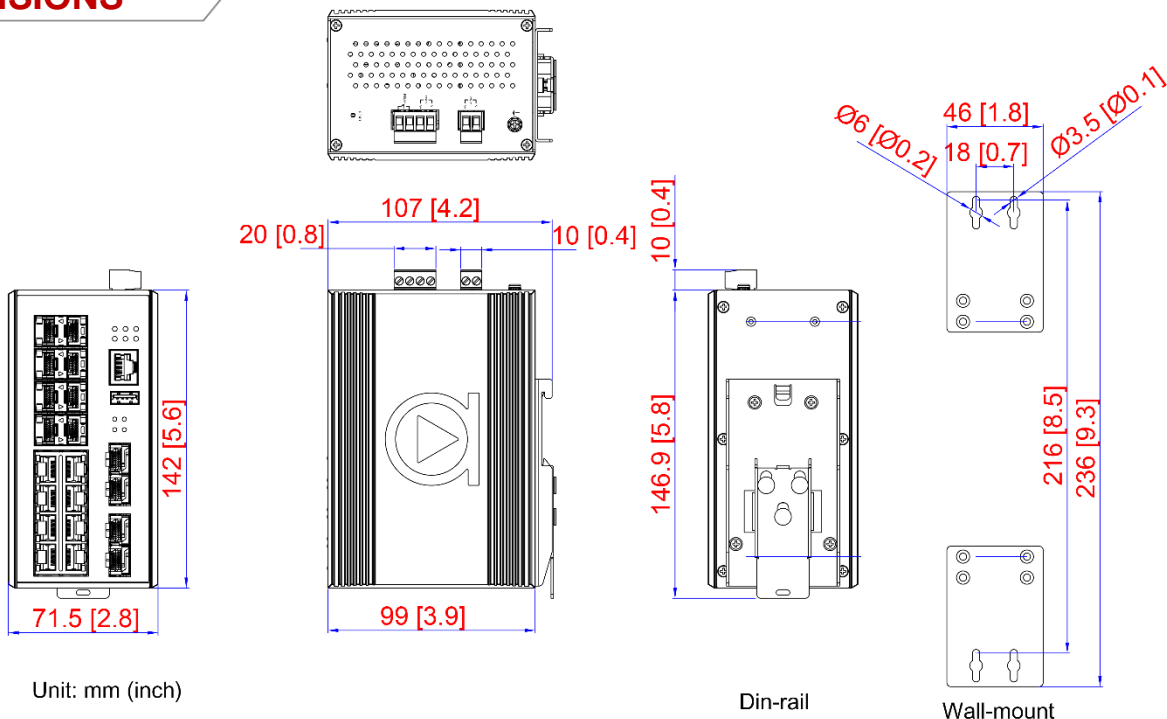
- ▶ Supports 8*10/100/1000Tx Gigabit Ethernet with IEEE 802.3af/at Compliant PoE+ (30W/Port) and 12*100/1000 SFP Slots
- ▶ Network Redundancy Support: STP/RSTP/MSTP, and G.8032 ERPS (Recovery Time <50ms)
- ▶ Supports IPv4/IPv6, and DHCP Option 66/67/82
- ▶ Supports Modbus/TCP Protocol for Device Management and Monitoring
- ▶ IGMP v1/v2/v3 for Multicast Traffic Filtering
- ▶ QoS (IEEE 802.1p/1Q), CoS/ToS to Increase Determinism
- ▶ IEEE802.1Q VLAN for Easy Network Planning
- ▶ Enhanced Network Security with IEEE802.1X, SNMP v1/v2c/v3, HTTPS, and SSH/SSL
- ▶ Auto Warning by Exception through Relay Output
- ▶ Operating Temperature Range
 - STD: -10°C to 65°C, EOT: -40°C to 75°C
- ▶ 5-Year Warranty

INTRODUCTION

Antaira Technologies' LMP-2012G-SFP series is a 20-port industrial Gigabit managed Ethernet switch that is embedded with 8*10/100/1000Tx Ethernet ports that support IEEE 802.af/at for a maximum of 30W/port and 12*100/1000 SFP slots. The LMP-2012G-SFP series is a fully manageable light layer 3 Ethernet switch that is pre-loaded with a user-friendly web management console design. It supports the ring network redundancy function using the market's open standard ITU-T G.8032 ERPS (Ethernet Ring Protection Switch) protocol that has a <50ms network recovery time. The advanced network filtering and security functions, such as, IGMP, VLAN, QoS, SNMP, port lock, RMON, Modbus TCP, and 802.1X/HTTPS/SSH/SSL increase determinism and improve network management for remote SCADA systems or control networks.

The LMP-2012G-SFP series is IP30 rated and DIN-rail mountable. There are also two wide-operating temperature models for either a standard temperature range (STD: -10°C to 65°C) or an extended temperature range (EOT: -40°C to 75°C). It also provides high EFT and ESD protection for industrial networking applications, such as, power/utility, water wastewater, oil/gas/mining, factory automation, security surveillance within transportation, ITS and any other outdoor or harsh environment.

DIMENSIONS



SPECIFICATIONS

| | |
|---|---|
| Technology | Port/MAC/Protocol/IP Subnet-based VLAN, GARP/GVRP, Loop Guard, Link Aggregation static/LACP, BPDU guard, Error disable recovery, IGMP snooping v2/v3, MLD snooping v1/v2, IGMP filtering, IPMC throttling / filtering leave proxy, DHCP snooping, G.8032 v1/v2 |
| L2 Switching | |
| L3 Switching | DHCP option82, static routes |
| QoS | 802.1p Queueing, Input priority mapping, Storm control for Unicast/Multicast/Broadcast, Port/Queue/ACL policer, Port egress shaper, Queue egress shaper, DiffServ (DSCP), Tag remarking, Scheduler mode |
| Power Saving | ActiPHY, PerfectReach, IEEE 802.3az EEE power management |
| Network Redundancy | STP/RSTP/MSTP, port trunk with LACP, ERPS v1/v2 (<50ms) |
| Configuration System / Diagnostics | Http, Https, Telnet, SSH, CLI, TFTP, SNMP v3 Dual Image Protection, PING, PING6 |
| Switch Properties | |
| Switch Architecture | Back-Plane (Switching Fabric): 40.0Gbps IPv4/IPv6, SNMP v1/v2c/v3, LLDP, LLDP-MED, HTTP, HTTPS, SSHv2 telnet, DHCP client, DHCPv6 client, DHCP server, Port Mirror, DNS client/proxy, IP based Access Filter, ICMPv6, syslog, Time Zone / Daylight Saving, NTP client, RMON, sFlow, Loop detection, Console Port, Power Lost Warning, Relay Trigger |
| Protocols | |
| Priority Queues | 8 |
| Processing Type | Store and Forward |
| Flow Control | IEEE 802.3x for full duplex mode, back pressure for half duplex mode |
| Transfer Rate | 14,880pps for Ethernet Port 148,800pps for Fast Ethernet Port 1,488,000pps for Gigabit Ethernet Port |
| Memory Buffer | 4Mbits |
| Jumbo Frame | 9.6Kbytes |
| MAC Table Size | 8K |
| VLAN Group | 4095 |
| IGMP Group | 1024 |
| Port Interface | |
| Ethernet Port | 8*10/100/1000BaseTx (30W/Port) Auto negotiation speed, Full/Half duplex mode, and auto MDI/MDI-X connection |
| SFP Port | 12*100/1000 SFP Slots |
| RS232 Serial Console | 1*RS232 in RJ45 connector with console cable, 115.2Kbps, 8, N, 1 |
| Configuration Backup | 1*USB 2.0 |
| LED Indicators | System: Power 1, Power 2, Status, Master, Ring, PoE Load Ethernet: Speed/Link/Active SFP: Link/Active |

| | |
|------------------------------------|---|
| Protection | 10Base-T: 2-pair UTP/STP Cat. 3, 4, 5 cable EIA/TIA-568 100-ohm (100m) |
| Network Cable | 100Base-TX: 2-pair UTP/STP Cat. 5 cable EIA/TIA-568 100-ohm (100m) 1000Base-TX: 4-pair UTP/STP Cat.5/5E cable; EIA/TIA-568 100-ohm (100m) |
| Mechanical Characteristics | |
| Housing | Metal, IP30 rated |
| Dimensions | 71.5 x 142 x 99 mm (W x H x D) |
| Weight | Unit: 3.66 lbs Shipping: 4.43 lbs |
| Mounting | DIN-Rail mounting, Wall mounting |
| Power Requirement | |
| Input Voltage | 48~55VDC Redundant Input |
| Power Connection | 1 removable 4-contact terminal block and 1 removable 2-contact terminal block |
| Relay Contact | 24VDC, 1A resistive |
| Overload Current Protection | Present (Slow-Blown Fuse) |
| Reverse Polarity Protection | Present |
| PoE Pin Assignment | V+, V+, V-, V- for pin 1, 2, 3, 6 (Endspan, Mode A) |
| PoE Power Budget | 240W |
| System Power Consumption | 19W |
| Environmental Limits | |
| Operating Temperature | STD: -10°C to 65°C EOT: -40°C to 75°C |
| Storage Temperature | -40°C to 85°C |
| Ambient Relative Humidity | 5% to 95%, (non-condensing) |
| Regulatory Approvals | |
| EMI | FCC Part 15 Subpart B Class A, CE EN55032/EN61000-6-4 Class A |
| EMS | CE EN55035/EN61000-6-2: IEC61000-4-2,3,4,5,6,8 |
| Free Fall | IEC60068-2-32 |
| Shock | IEC60068-2-27 |
| Vibration | IEC60068-2-6 |
| Green | RoHS Compliant |
| Certifications | FCC, CE, UL 61010-1, UL 61010-2-201 |
| Warranty | 5 Years |

ORDERING INFO

| | |
|------------------------|--|
| LMP-2012G-SFP | 20-Port Industrial Gigabit PoE+ Light Layer 3 Managed Ethernet Switch, with 8*10/100/1000Tx Ports (30W/Port) and 12*100/1000 SFP Slots |
| LMP-2012G-SFP-T | 20-Port Industrial Gigabit PoE+ Light Layer 3 Managed Ethernet Switch, with 8*10/100/1000Tx Ports (30W/Port) and 12*100/1000 SFP Slots; EOT: -40°C to 75°C |