

# STM-601C Series

Industrial Modbus TCP (Two Ethernet Ports) to One Serial (232,422,485) RTU/ASCII Gateway



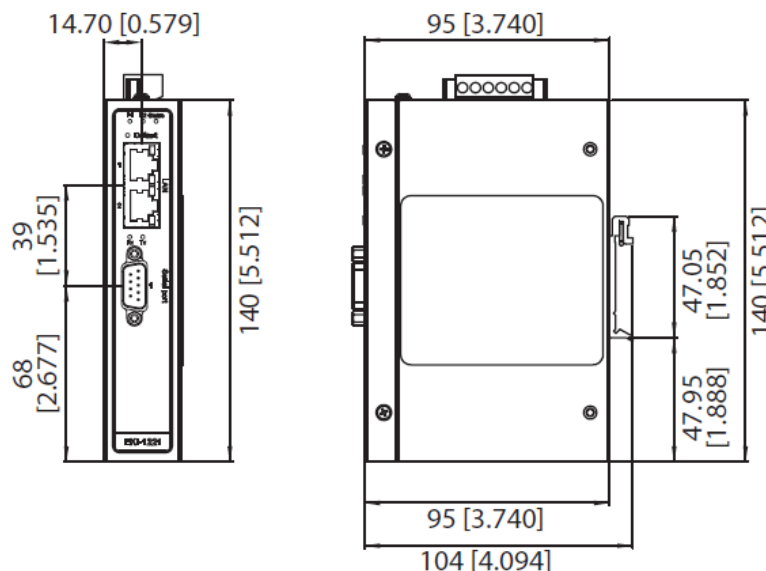
## Features

- ▶ 2\*10/100 Mbps Ethernet Ports for LAN Redundancy
- ▶ Integrates Modbus TCP and Modbus RTU/ASCII Networks
- ▶ Supports Up to 921.6 kbps and Any Baud Rate Setting
- ▶ Supports Up to 16 Connections per Serial Port Under Modbus Master Mode and 32 Sessions Under Modbus Slave Mode
- ▶ Software-selectable RS-232/422/485 Communication
- ▶ Automatic RS-485 Data Flow Control
- ▶ Redundant Power Input: 12~48VDC
- ▶ Power Polarity Reverse Protection
- ▶ Overload Current Protection
- ▶ DIN-Rail or Wall Mountable
- ▶ Standard and Wide Temperature Models
- ▶ 5-Year Warranty

## INTRODUCTION

Antaira Technologies' STM-601C series is an industrial MODBUS gateway that allows legacy MODBUS RTU/ASCII devices to operate on a MODBUS TCP network. It can be configured as either MODBUS serial master or slave to communicate with MODBUS TCP's slave or master. The STM-601C series features two independent Ethernet ports and MAC addresses to provide redundancy and reliability. These devices provide an economical way of connecting MODBUS RTU/ASCII devices to networks accessible anywhere in the world.

## DIMENSIONS



## SPECIFICATIONS

### Ethernet Technology

<b>Standards</b>	IEEE 802.3 10Base-T Ethernet IEEE 802.3u 100Base-TX Fast Ethernet
<b>Processing Type</b>	Store and Forward
<b>Protocol</b>	CSMA/CD
<b>No. of Ports</b>	2 with independent IP and MAC addresses

### Serial Technology

<b>Port Type</b>	RS-232/422/485, software selectable
<b>No. of Ports</b>	1 – DB9 male
<b>Data Bits</b>	5, 6, 7, 8
<b>Stop Bits</b>	1, 2
<b>Parity</b>	None, Odd, Even, Space, Mark
<b>Flow Control</b>	XON/XOFF, RTS/CTS
<b>Baud Rate</b>	50 bps ~ 921.6 kbps, any baud rate setting
<b>Serial Signals</b>	RS-232: TxD, RxD, CTS, RTS, DCD, RI, GND RS-422: TxD+, TxD-, RxD+, RxD-, GND RS-485: Data+, Data-, GND
<b>Protection</b>	15 KV ESD for all signals

### Interface

<b>Ethernet Port</b>	2*10/100T auto negotiation speed, Full/Half duplex mode, and auto MDI/MDI-X connection
----------------------	--

<b>LED Indicators</b>	Power, Ethernet Ports: Link / Act
-----------------------	--------------------------------------

### General

<b>LED Indicators</b>	System: Power, System Status LAN: Speed, Link/Active Serial: Tx, Rx
<b>Reboot Trigger</b>	Built-in WDT (watchdog timer)

### Mechanical Characteristics

<b>Housing</b>	Metal with solid mounting hardware
<b>Dimensions</b>	37 x 140 x 95 mm (1.46" x 5.51" x 3.74")
<b>Weight</b>	1.04lbs (0.472 kg)
<b>Mounting</b>	DIN-Rail, Wall mounting

### Power Requirement

<b>Input Voltage</b>	12 to 48VDC, Redundant Inputs
<b>Power Connection</b>	Terminal block
<b>Reverse Polarity Protection</b>	Present
<b>Overload Current Protection</b>	Present
<b>Power Consumption</b>	3.2 W

### Environmental Limits

<b>Operating Temperature</b>	STD: -10 ~ 60 °C (14 ~ 140 °F) EOT: -40 ~ 70 °C (-40 ~ 158 °F)
<b>Storage Temperature</b>	-20 ~ 80 °C (-4 ~ 176 °F)

<b>Ambient Relative Humidity</b>	5% to 95%, (non-condensing)
----------------------------------	-----------------------------

### Regulatory Approvals

<b>EMC</b>	CE, FCC Part 15 Subpart B (Class A)
<b>Hazardous location</b>	UL/cUL (Class I, Division 2, Groups A, B, C and D)

<b>Green</b>	RoHS Compliant
--------------	----------------

<b>Warranty</b>	5 Years
-----------------	---------

### Software

<b>OS Support</b>	32-bit/64-bit Windows XP/Vista/7/8/8.1/10, Windows Server 2003/2008/2008 R2/2012/2012 R2
-------------------	--

<b>Utility Software</b>	Antaira Device Configuration Utility
-------------------------	--------------------------------------

<b>Operation Modes</b>	Modbus RTU Master/Slave mode Modbus ASCII Master/Slave mode
------------------------	--

<b>Configuration</b>	Windows Utility, Telnet Console, Web Browser
----------------------	--

<b>Protocols</b>	ICMP, IP, TCP, UDP, BOOTP, DHCP, Auto IP, SNMP, HTTP, DNS, SMTP, ARP, NTP
------------------	---

## ORDERING INFO

<b>STM-601C</b>	Industrial Modbus TCP (two Ethernet port) to one Serial (232,422,485) RTU/ASCII Gateway
-----------------	---

<b>STM-601C-T</b>	Industrial Modbus TCP (two Ethernet port) to one Serial (232,422,485) RTU/ASCII Gateway; EOT: -40°C to 70°C
-------------------	---

### Optional Accessories

<b>DR-30-24</b>	30W Industrial DIN-Rail Power Supply, 24VDC
-----------------	---

<b>DR-60-24</b>	60W Industrial DIN-Rail Power Supply, 24VDC
-----------------	---